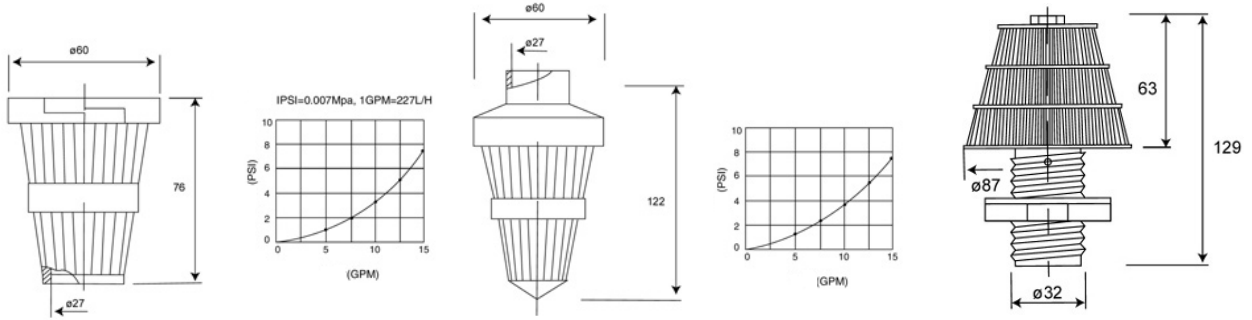
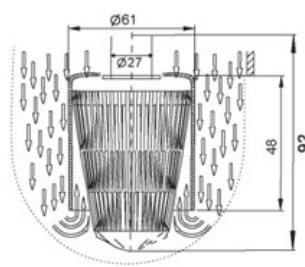
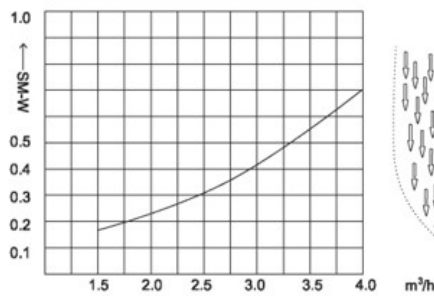


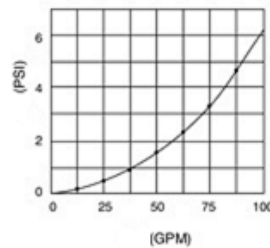
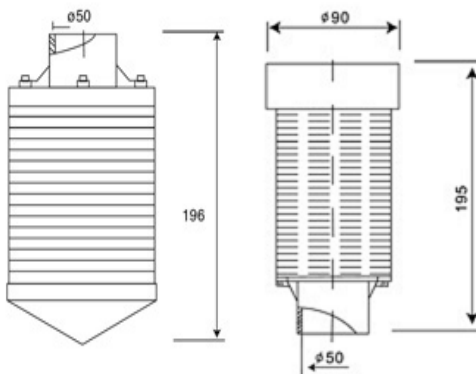
2017/Distributors



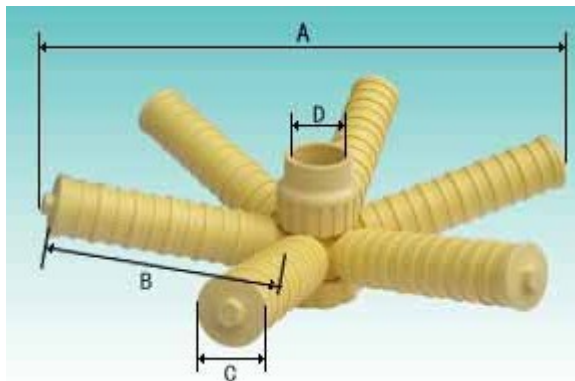
Part number	Products	Tank size	Gap size
P02/34	Bottom distributor d25	6-16"	0.25mm
P01/34	Top distributor d25	6-16"	0.25mm
P02/1	Bottom distributor d32	6-16"	0.25mm
P01/1	Top distributor d32	6-16"	0.25mm
310077P	3meter long PVC pipe for P02/34		
201-TM-0.25	Bottom filtering candle	1m3/h	0.25mm



Part number	Products	Tank size	Gap size
208-25-TM-0.25	Small bottom distributor d25	6-13"	0.25mm

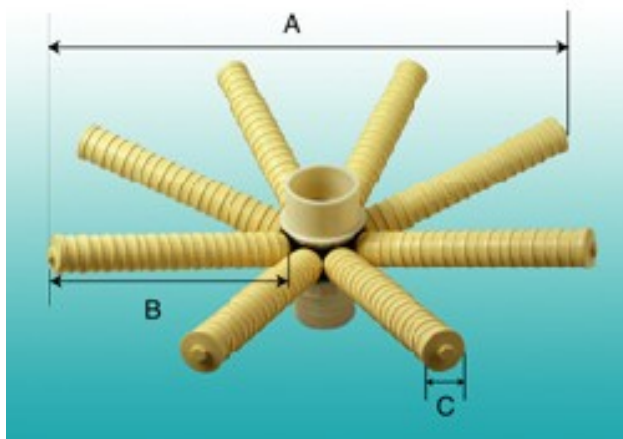


Part number	Products	Tank size	Gap size	Flow ( $\Delta p=0,2bar$ )
218-50-TM-0.25	Bottom distributor d50	12-36"	0.25mm	20 m <sup>3</sup> /h
216-50-TM-0.25	Top distributor d50	12-36"	0.25mm	20 m <sup>3</sup> /h
216D-50-TM-0.25	Top distributor double length d50	16-42"	0.25mm	30 m <sup>3</sup> /h



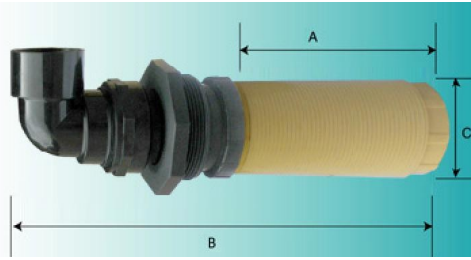
Part number	Flow ( $\Delta p=0,2\text{bar}$ )
324-50-TM-0.25	15 m <sup>3</sup> /h
306-50-TM-0.25	16 m <sup>3</sup> /h
307-50-TM-0.25	17 m <sup>3</sup> /h
308-63-TM-0.25	18 m <sup>3</sup> /h
309-63-TM-0.25	20 m <sup>3</sup> /h
326-63-TM-0.25	32 m <sup>3</sup> /h
327-63-TM-0.25	36 m <sup>3</sup> /h

Part number	Products	Tank size	A	B	C	Gap size
324-50-TM-0.25	Bottom distributor d50 ; 6-arm	13-16"	260	82	53	0.25mm
306-50-TM-0.25	Bottom distributor d50 ; 6-arm	18-21"	370	136	53	0.25mm
307-50-TM-0.25	Bottom distributor d50 ; 6-arm	24"	450	182	53	0.25mm
308-63-TM-0.25	Bottom distributor d50/63 ; 6-arm	30"	620	260	53	0.25mm
309-63-TM-0.25	Bottom distributor d50/63 ; 6-arm	36-42"	710	330	53	0.25mm
326-63-TM-0.25	Bottom distributor d63 ; 2x6-arm	36-42"	710	330	53	0.25mm
327-63-TM-0.25	Bottom distributor d63 ; 2x6-arm	48"	930	410	53	0.25mm



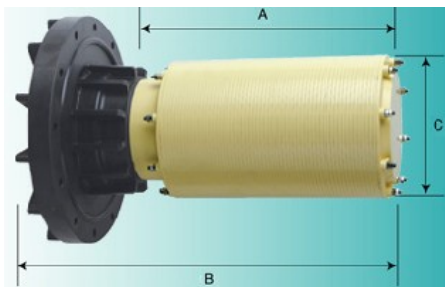
Part number	Flow ( $\Delta p=0,2\text{bar}$ )
401-90-TM-0.25	17 m <sup>3</sup> /h
402-90-TM-0.25	28 m <sup>3</sup> /h
403-90-TM-0.25	30 m <sup>3</sup> /h
411-90-TM-0.25	32 m <sup>3</sup> /h
412-90-TM-0.25	40 m <sup>3</sup> /h
413-90-TM-0.25	50 m <sup>3</sup> /h

Part number	Products	Tank size	A	B	C	Gap size
401-90-TM-0.25	Bottom distributor d90 ; 8-arm	24"	512	190	53	0.25mm
402-90-TM-0.25	Bottom distributor d90 ; 8-arm	30"	630	256	53	0.25mm
403-90-TM-0.25	Bottom distributor d90 ; 8-arm	36"	750	318	53	0.25mm
411-90-TM-0.25	Bottom distributor d90 ; 8-arm	42"	870	380	53	0.25mm
412-90-TM-0.25	Bottom distributor d90 ; 2x8-arm	48"	980	445	53	0.25mm
413-90-TM-0.25	Bottom distributor d90 ; 2x8-arm	63"	$\frac{121}{8}$	564	53	0.25mm



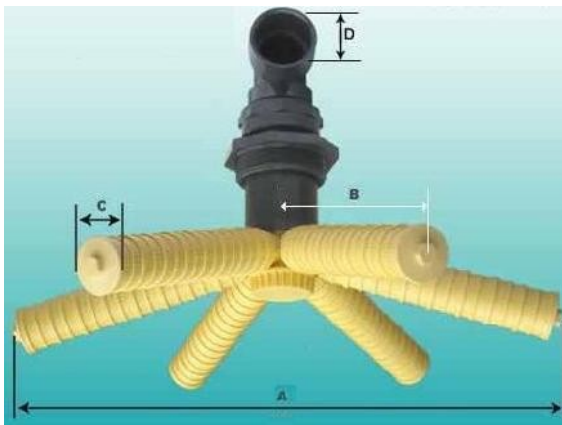
Part number	Flow ( $\Delta p=0,2\text{bar}$ )
311-63-SM-0.25	20 m <sup>3</sup> /h
312-63-SM-0.25	26 m <sup>3</sup> /h
313-63-SM-0.25	34 m <sup>3</sup> /h

Part number	Products	Tank size	A	B	C	Gap size
311-63-SM-0.25	Top distributor d63	14-30"	180	400	88	0.25mm
312-63-SM-0.25	Top distributor d63	21-36"	242	472	88	0.25mm
313-63-SM-0.25	Top distributor d63	30-36"	310	540	88	0.25mm



Part number	Flow ( $\Delta p=0,2\text{bar}$ )
415-90-TM-0.2	40 m <sup>3</sup> /h
416-90-TM-0.2	50 m <sup>3</sup> /h
417-90-TM-0.2	60 m <sup>3</sup> /h

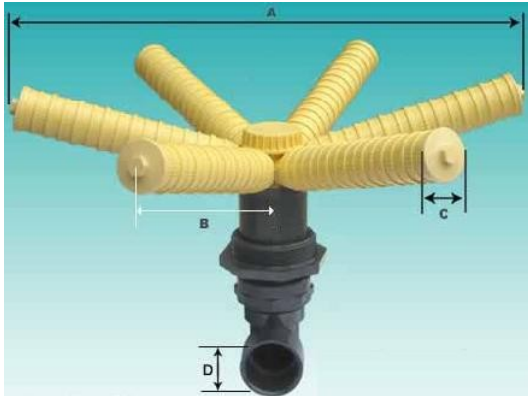
Part number	Products	Tank size	A	B	C	Gap size
415-90-SM-0.25	Top distributor d90	42-48"	260	360	140	0.25mm
416-90-SM-0.25	Top distributor d90	48-64"	330	420	140	0.25mm
417-90-SM-0.25	Top distributor d90	64-80"	430	520	140	0.25mm



Part number	Flow ( $\Delta p=0,2\text{bar}$ )
325-63-SM-0.25	15 m <sup>3</sup> /h
319-63-SM-0.25	16 m <sup>3</sup> /h
320-63-SM-0.25	17 m <sup>3</sup> /h
321-63-SM-0.25	18 m <sup>3</sup> /h
322-63-SM-0.25	20 m <sup>3</sup> /h
329-63-SM-0.25	36 m <sup>3</sup> /h

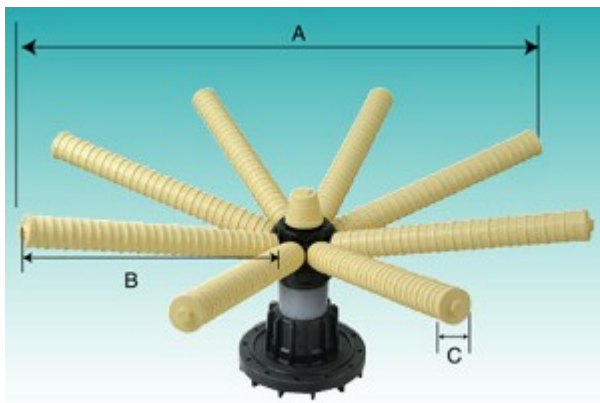
Part number	Products	Tank size	A	B	C	Gap size
325-63-SM-0.25	Top distributor d63 6 arm	13-16"	260	82	53	0.25mm
319-63-SM-0.25	Top distributor d63 6 arm	18-21"	370	136	53	0.25mm
320-63-SM-0.25	Top distributor d63 6 arm	24"	450	182	53	0.25mm
321-63-SM-0.25	Top distributor d63 6 arm	30"	620	260	53	0.25mm
322-63-SM-0.25	Top distributor d63 6 arm	36-42"	710	330	53	0.25mm
328-63-SM-0,25	Top distributor d63 ; 2x6-arm	36-42"	710	330	53	0.25mm
329-63-SM-0.25	Top distributor d63 2x6arm	48"	930	410	53	0.25mm

## 2017/Distributors



Part number	Flow ( $\Delta p=0,2\text{bar}$ )
325-63-SM-0.25	15 m <sup>3</sup> /h
319-63-SM-0.25	16 m <sup>3</sup> /h
320-63-SM-0.25	17 m <sup>3</sup> /h
321-63-SM-0.25	18 m <sup>3</sup> /h
322-63-SM-0.25	20 m <sup>3</sup> /h
328-63-SM-0.25	32 m <sup>3</sup> /h
329-63-SM-0.25	36 m <sup>3</sup> /h

Part number	Products	Tank size	A	B	C	Gap size
325-63-SM-0.25	Bottom distributor d63 ; 6 arm	13-16"	260	82	53	0.25mm
319-63-SM-0.25	Bottom distributor d63 ; 6 arm	18-21"	370	136	53	0.25mm
320-63-SM-0.25	Bottom distributor d63 ; 6 arm	24"	450	182	53	0.25mm
321-63-SM-0.25	Bottom distributor d63 ; 6 arm	30"	620	260	53	0.25mm
322-63-SM-0.25	Bottom distributor d63 ; 6 arm	36-42"	710	330	53	0.25mm
328-63-SM-0.25	Bottom distributor d63 ; 2x6-arm	36-42"	710	330	53	0.25mm
329-63-SM-0.25	Bottom distributor d63 ; 2x6-arm	48"	930	410	53	0.25mm



Part number	Flow ( $\Delta p=0,2\text{bar}$ )
418-90-SM-0.25	26 m <sup>3</sup> /h
419-90-SM-0.25	28 m <sup>3</sup> /h
420-90-SM-0.25	30 m <sup>3</sup> /h
421-90-SM-0.25	32 m <sup>3</sup> /h
429-90-SM-0.25	40 m <sup>3</sup> /h
430-90-SM-0.25	50 m <sup>3</sup> /h

Part number	Products	Tank size	A	B	C	Gap size
418-90-SM-0.25	Bottom distributor d90 ; 8-arm	24"	512	190	53	0.25mm
419-90-SM-0.25	Bottom distributor d90 ; 8-arm	30"	630	256	53	0.25mm
420-90-SM-0.25	Bottom distributor d90 ; 8-arm	36"	750	318	53	0.25mm
421-90-SM-0.25	Bottom distributor d90 ; 8-arm	42"	870	380	53	0.25mm
429-90-SM-0.25	Bottom distributor d90 ; 2x8-arm	48"	980	445	53	0.25mm
430-90-SM-0.25	Bottom distributor d90 ; 2x8-arm	63"	1218	564	53	0.25mm