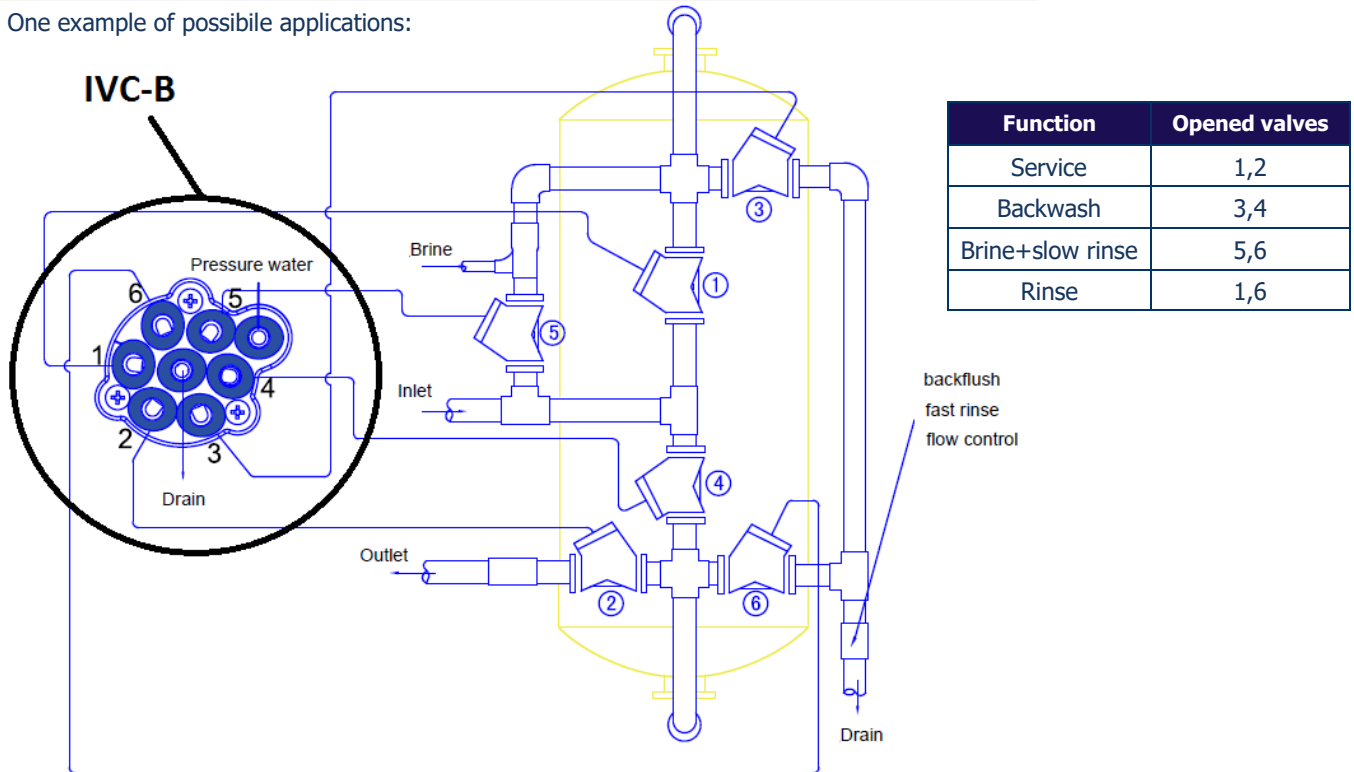


2017/Individual valve controller

Part No.	Type	Products
IVC-A	JKA 3.0	Individual filter valve controller to regulate 5 pcs valves. The controller is able to do the backwash with raw or treated water.
IVC-B	JKA 2.0	Individual softener valve controller to regulate 6 pcs valves.

One example of possible applications:



Individual valve controller function introduction:

IVC multi valve controller is special designed for the filtration, water conditioning, softening and desalination system which consists of multi valves.

The operating medium of IVC valve is either pressurized air or water.

- Power: 150~250V/AC, 50/60Hz, 4W;
- English version, simple setting-up, no complicated programming languages ability needed to operate;
- Password Protection design prevents parameter setting from arbitrary and unexpected alteration;
- Flexible regeneration initiation modes (Volume, Remote, Interval, Week Timing, Remote control regeneration).

The selection of regeneration modes depends on specific technical and systemic conditions. Under special circumstances (e.g., on-site debugging), also can be forced manually start the regeneration, and regeneration can be forced to interrupt at any time or to skip any step, and so on.

- LCD display with backlight for over ten years use and state display function on panel;
- Regeneration and relevant outputs signals are all Relay Dry Contractor; AC 220/5A;
- Various parameters can be set: e.g. date and time, regeneration mode, regeneration process, business lock and connect internet, and so on
- IVC controller equips two logic level control with Relay Dry Contractor output;
- Commercial lock. Please contact our technical personnel for detailed usage.
- Many units parallel function. At the same time it can be guaranteed that there only one unit in regeneration among many units, which can ensure the continuity of the system of water well. Parallel function in a D mode to use for the many units run and one standby. E model is regenerative independently, regeneration in order, water immediately go to the water maker process after regeneration.



IVC-B

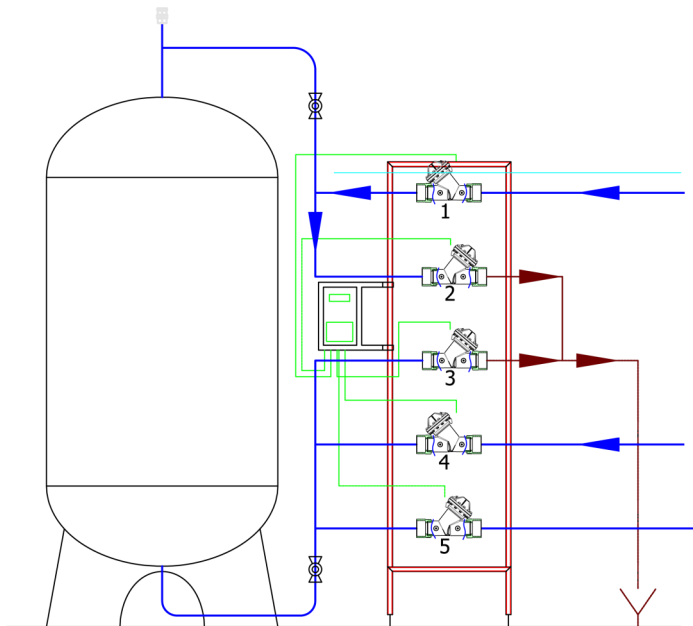
2017/Individual valve system

Part No.	Products	Inlet and outlet	Backwash inlet and drain	Dimension LxWxH (mm)	Service flow rate $\Delta p=0,4\text{bar}$	Backwash flow rate $\Delta p=1,0\text{bar}$
IFVS63/63	Automatic time controlled individual filter valve system with 5pcs individual diaphragm valves	DN50 Ø63	DN50 Ø63	500x1000x1900	18 m ³ /h	26 m ³ /h
IFVS63/90	Automatic time controlled individual filter valve system with 5pcs individual diaphragm valves	DN50 Ø63	DN80 Ø90	500x1000x1900	18 m ³ /h	66 m ³ /h
IFVS90/90	Automatic time controlled individual filter valve system with 5pcs individual diaphragm valves	DN80 Ø90	DN80 Ø90	500x1000x1900	45 m ³ /h	66 m ³ /h
IFVS90/110	Automatic time controlled individual filter valve system with 5pcs individual diaphragm valves	DN80 Ø90	DN100 Ø110	500x1000x1900	45 m ³ /h	170 m ³ /h
IFVS110/110	Automatic time controlled individual filter valve system with 5pcs individual diaphragm valves	DN100 Ø110	DN100 Ø110	500x1000x1900	120 m ³ /h	170 m ³ /h

Accessories:

- Stainless steel frame
- 5pcs individual diaphragm valves
- IVC-B controller
- PVC pipeline

Working pressure: 1-8bar
Temperature: 4-50°C



	Status of valves				
Function	1	2	3	4	5
Service	Open	Close	Close	Close	Open
Backwash	Close	Open	Close	Open	Close
Rinse	Open	Close	Open	Close	Close



IFVS63/90

2017/Individual valve system

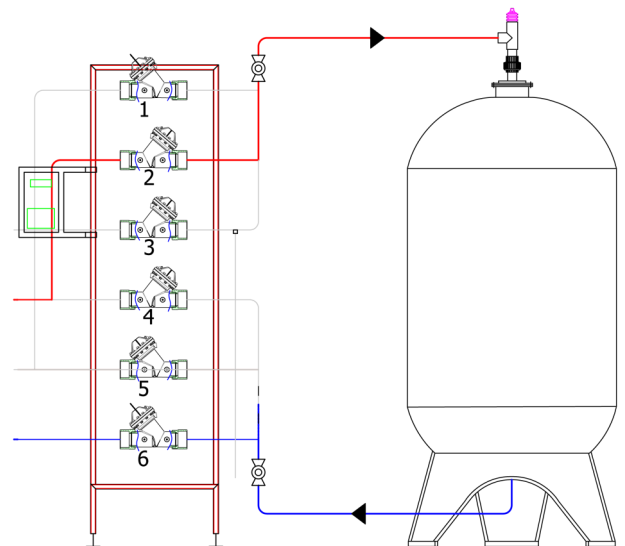
Part No.	Products	Inlet and outlet	Backwash inlet and drain	Dimension LxWxH (mm)	Service flow rate $\Delta p=0,4\text{bar}$	Backwash flow rate $\Delta p=1,0\text{bar}$
ISVS63/63	Automatic volume and time controlled individual softener valve system with 6pcs individual diaphragm valves	DN50 Ø63	DN50 Ø63	500x1000x2300	18 m ³ /h	26 m ³ /h
ISVS90/90	Automatic volume and time controlled individual softener valve system with 6pcs individual diaphragm valves	DN80 Ø90	DN80 Ø90	500x1000x2300	45 m ³ /h	66 m ³ /h
ISVS110/110	Automatic volume and time controlled individual softener valve system with 6pcs individual diaphragm valves	DN100 Ø110	DN100 Ø110	500x1000x2300	120 m ³ /h	170 m ³ /h

The controller of the filter is able to do the backwash with raw or treated water. Normally the backwash of filter is done by treated water. When customer requests the backwash of filter can be done by raw water without charge.

Accessories:

- Stainless steel frame
- 6pcs individual diaphragm valves
- 1pc water flow sensor
- PVC pipeline
- IVC-B controller

Working pressure: 1-8bar
Temperature: 4-50°C



Function	Status of valves					
	1	2	3	4	5	6
Service	Close	Open	Close	Close	Close	Open
Backwash	Open	Close	Close	Open	Close	Close
Brine+slow rinse	Close	Close	Open	Close	Open	Close
Rinse	Close	Open	Close	Close	Open	Close