



2022

Components

Product catalog



About us

Euro-Clear Kft. Was established in 2007 and is a 100% Hungarian-owned water treatment company, which deals with the production and trade of equipment. From domestic water purification and water softening devices to systems with a capacity of several 100 m³ / h, we design and manufacture drinking water and technological water treatment equipment.

Based on the work done and more than a decade of experience, we can say about ourselves that in Hungary our company has manufactured the most household, small-scale water softening and water treatment equipment in recent years. The excellent quality of our devices is shown by the fact that our products can be found not only in Hungary but also in a significant part of Europe.

Euro-Clear Kft. Has a production base and warehouses at its more than 9,000 m² premises at the disposal of its contracted partners. At our newly built site, we provide continuous training opportunities for our service technicians and installers. In addition to the continuous development of our equipment, our goal is to produce clean water that meets the needs, and to produce the equipment needed to provide technological water that meets industry tasks and to treat the generated wastewater.

The mission of our company is to contribute to the preservation of human health and the protection of our environment. We have a network of professional service and commissioners in Hungary and the surrounding countries.

General informations

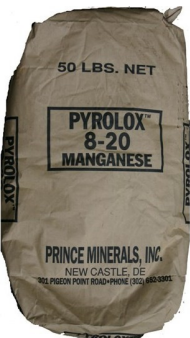
- The prices in the price list are USD based net, Gönyű EXW prices.
- At the request of our customers, our company can also send a price offer for delivery.
- We are waiting for your orders by e-mail to sales@euro-clear.eu
- In any case the Purchaser requests for additions and changes of already placed orders, additions and changes will be considered as new and independent order.
- **Our company introduces a pallet fee in the net value of 6 USD from March 11, 2022.**



Table of contents

Product	Page
Filtering media	4
Canature pressure tanks	5
Cabinets, brine tanks	7
Accessories necessary to complete RX valve	9
Distributors	10
RX control valve functions	14
RX control valve accessories	16
RX CONTROL VALVES	-
- Overflow and manual control valves	18
- Filtering valves	20
- Manual and semi automatic water softener control valves	22
- Water softener control valves with 3/4" connection	24
- Water softener control valves with 1" connection	25
- Water softener control valves (79, 82)	26
- By-pass valve	27
- Water softener control valve with remote control	28
- Control valves for mixed bed systems	29
- Water softener control valves with 2" and larger connection	30
- Duplex water softener control valves	32
- Twin water softener control valves (AB1)	33
- Duplex water softener control valves (AB2)	34
RX individual valve systems	35
RX inividuval valve controllers	37
RX ceramic ball valves	39
RX electronic ball valves with timer	43
Solenoid valves	44
IVC individual valve systems	46
IVC individual valve controllers	48
IVC diaphragm valves	49
Membranes	50
Membrane houses	51
Fiberglass reinforced membrane pressure vessels	52
Testers, measuring devices	58
pH measuring device	59
ORP measuring device	60
Conductivity measuring instruments, probes	61
Cooling tower controllers	62
Industrial RO system controllers	63
Pressure gauges	64
Rotameters	66
EDI modules	68
RO booster pumps	69
Pump station accessories	70

2022/Filtering media



Part number	Product	Function	Quantity (1 bag)	Gr. #
A8006	Birm	Iron removal filter media	28.3 liter 17 kg	887
A8030	Pyrolox	Iron and manganese removal filter media	13.2 liter 25 kg	887
A8032	Pyrolox Advantage	Iron and manganese removal filter media	13.6 liter 19 kg	887
A8042	Greensand Plus	Iron and manganese removal filter media	14.2 liter 20 kg	887
AS-CR100	Crystal Right 100	Softener, pH raising, iron-, manganese-, ammonia removal filter media	28.3 liter 22.7 kg	888
AS-CR200	Crystal Right 200	Softener, pH raising, iron-, manganese-, ammonia removal filter media	28.3 liter 22.7 kg	888
ECOMIX-P	ECOMIX-P	Softener, ammonia-, iron-, manganese removal	25 liter 18.75 kg	885
ECOMIX-A	ECOMIX-A	Softener, ammonia-, iron-, manganese removal	25 liter 18.75 kg	885
ECOMIX-C	ECOMIX-C	Softener, ammonia-, iron-, manganese-, organic removal	25 liter 18.75 kg	885
GAC-0830-800	Activated carbon 8x30	Size: 0,6—2,3 mm Iodine number: 800 mg/g	56 liter 25 kg	883
GAC-0830-950	Activated carbon 8x30	Size: 0,6—2,3 mm Iodine number: 950 mg/g	56 liter 25 kg	883
GAC-0830-1050	Activated carbon 8x30	Size: 0,6—2,3 mm Iodine number: 1050 mg/g	56 liter 25 kg	883
A8024	Anthracite	Turbidity, suspended material removal	31,25 liter 25 kg	883
RA068	GEH	Arsenic removal filter media	60 liter 66 kg	886
RA069	Everzit AS	Arsenic removal filter media	29,2 liter 17,5 kg	886
RA067	Everzit N	Anthracite filter media	50 liter 35 kg	883
A8023	Turbidex	Solids, ammonia and heavy metal removal filter media	28.3 liter 22.65 kg	884



Part number	Products	Quantity (1 bag)	Gr. #
SK-0.4-0.8	Filter gravel, 0.4-0.8mm	25 kg	889
SK-0.5-1.2	Filter gravel, 0.5-1.2mm	25 kg	889
SK-1-2	Filter gravel, 1-2mm	25 kg	889
SK-3-6	Filter gravel, 3-6mm	25 kg	889
SF-PHOS	Poliphosphate scaling inhibitor media (kg)	-	886

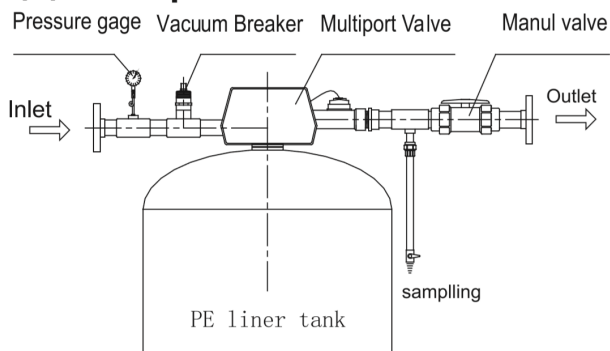
Part number	Products	Quantity (1 bag)	Gr. #
CC002-FG	Canature strong cation resin food grade	25 liter	881
CC002-IG	Canature strong cation resin industrial grade	25 liter	881
PA101	Pure strong anion resin	25 liter	882
PMB101-2	Pure Mixed bed resin	25 liter	882
PA202	Pure Nitrate selective resin	25 liter	882

2022/Canature pressure tanks

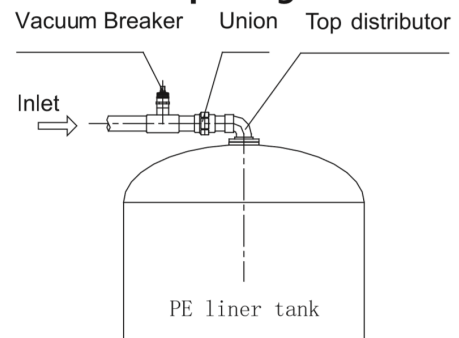
Part number	Products	Size	Volume liter	Diam. mm	Height mm	Weight kg	Gr. #
CA-PV004-T	PE pressure tank, with base	5 x 17 x 2.5"	3.81	122	425	1,2	811
CA-PV005-T	PE pressure tank, with base	5 x 20 x 2.5"	4.5	122	515	1,45	811
CA-PV019-T	PE pressure tank, without base	9 x 35 x 2.5"	31.6	232	898	4,00	811
CA-PV030-T	PE pressure tank, with base	7 x 17 x 2.5"	8.5	181	437	1,72	811
CA-PV032-T	PE pressure tank, with base	7 x 35 x 2.5"	19.1	181	896	2,97	811
CA-PV035-T	PE pressure tank, with base	8 x 17 x 2.5"	10.5	205	437	2,30	811
CA-PV037-T	PE pressure tank, with base	8 x 35 x 2.5"	23.6	205	897	4,05	811
CA-PV038-T	PE pressure tank, with base	8 x 44 x 2.5"	31.3	205	1122	4,45	811
CA-PV042-T	PE pressure tank, with base	9 x 35 x 2.5"	31.6	232	898	4,56	811
CA-PV047-T	PE pressure tank, with base	10 x 17 x 2.5"	16.5	258	434	3,04	811
CA-PV048-T	PE pressure tank, with base	10 x 35 x 2.5"	38.3	258	893	4,70	811
CA-PV049-T	PE pressure tank, with base	10 x 44 x 2.5"	48.8	258	1121	6,12	812
CA-PV050-T	PE pressure tank, with base	10 x 54 x 2.5"	61	258	1381	7,11	812
CA-PV053-T	PE pressure tank, with base	12 x 48 x 2.5"	78.54	307	1233	8,05	812
CA-PV057-T	PE pressure tank, with base	13 x 54 x 2.5"	105.7	335	1398	10,6	812
CA-PV190-T	PE pressure tank, with base	14 x 65 x 2.5"	148	366	1674	14,8	812
CA-PV192-T	PE pressure tank, with base	16 x 65 x 2.5"	188.6	411	1706	19,47	812

The recommended installation way of Vacuum Breaker

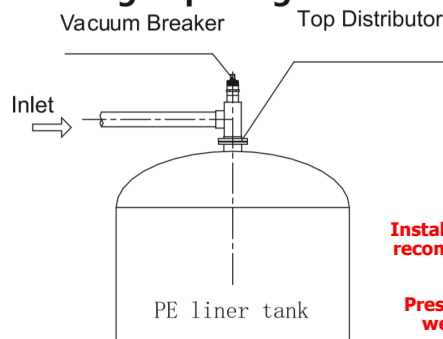
(1) For Top mount valve



(2) For 4" thread opening Side mount



(3) For 6" flange opening Side mount



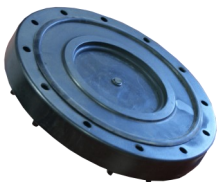
Installation of a vacuum breaker valve is recommended above 16" pressure vessel diameter.

Pressure vessels above 30" diameter we deliver with vacuum breaker.

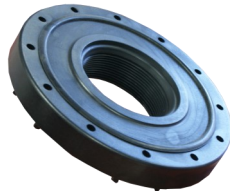
Operating pressure: 150 psi (10,5 Bar)
 Operating temp.: 1-50°C
 Max vacuum: 140 mm Hg
 Mini exposed temp.: -30°C
 Cycle test: 250 000 times from 0-150 psi
 Burst test: 4 times max operating pressure (600psi)
 Certificate: NSF

2022/Canature pressure tanks, accessories

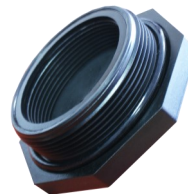
Part number	Products	Size	Volume liter	Diam. mm	Height mm	Weight kg	Gr. #
CA-PV191-T	PE pressure tank, with base	14 x 65 x 4"	148	366	1735	16,49	813
CA-PV193-T	PE pressure tank, with base	16 x 65 x 4"	188.6	411	1710	18,97	813
CA-PV195-T	PE pressure tank, with base	18 x 65 x 4"	237	465	1690	28,75	813
CA-PV215-TB	PE pressure tank, top and bottom threaded openings, with base	18 x 65 x 4" x 4"	237	465	1890	30,55	813
CA-PV197-T	PE pressure tank, with base	21 x 62 x 4"	330	555	1850	37,32	813
CA-PV199-T	PE pressure tank, with base	24 x 72 x 4"	494	611	1830	49,95	813
CA-PV217-TB	PE pressure tank, top and bottom threaded openings, with base	21 x 62 x 4" x 4"	312	540	2000	39,04	813
CA-PV219-TB	PE pressure tank, top and bottom threaded openings, with base	24 x 72 x 4" x 4"	471	612	2200	50,71	813
CA-PV220-TB	PE pressure tank, top and bottom threaded openings, with base	30 x 72 x 4" x 4"	728	765	2200	75,31	813
CA-PV221-TB	PE pressure tank, top and bottom threaded openings, with base	36 x 72 x 4" x 4"	1023	918	2230	112,41	813
CA-PV272-TB	PE pressure tank, top and bottom flanged openings, with base	36 x 72 x 6" x 6"	1023	918	2250	123,49	814
CA-PV276-TB	PE pressure tank, top and bottom flanged openings, with base	42 x 72 x 6" x 6"	1389	1088	2480	148,24	814
CA-PV279-TB	PE pressure tank, top and bottom flanged openings, with base	48 x 72 x 6" x 6"	1743	1218	2480	191,38	814
CA-PV274-TB	PE pressure tank, top and bottom flanged openings, with base	63 x 83 x 6" x 6"	3150	1620	2500	311,98	814



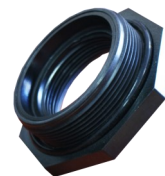
506-DT-4



507-BJ-3



502-DT-2



504-BJ-1

CA-PV-VB
Aeration and vacuum
breaker valve

Part number	Products	Material
502-DT-2	Plug 4"	ABS
506-DT-4	Closing flange 6"	ABS
504-BJ-1	Threaded converter 4"-2.5"	ABS
507-BJ-3	Flanged converter 6"-4"	ABS
WC-PV308	Aeration and vacuum breaker valve	PP
CA-PV-VB	Aeration and vacuum breaker valve	
MVCS-12	Sampling tap 1/2" - for accredited sampling	



2022/Cabinets

Serie cabinets:

Part number	Products	Size (mm) H x W x L	Recommended tank size	Gr.#
PA558+PV006	Mini Junior K cabinet 7x13 tank without base	330 x 230 x 430	7x13	872
PA555+PV012	Mini K cabinet 8x17 tank without base	640 x 225 x 440	8x17	872
PA556+PV014	Midi K cabinet 8x35 tank without base	1110 x 225 x 440	8x35	872
PA557+PV020	Maxi K cabinet 8x44 tank without base	1330 x 225 x 440	8x44	872
PA255+PV022	Mini Elba cabinet 10x17 tank without base, with salt grid, brine well, overflow elbow	620 x 320 x 500	10x17	873
PA256+PV024	Maxi Elba cabinet 10x35 tank without base, with salt grid, brine well, overflow elbow	1080 x 320 x 500	10x35	873
PA601+PV012+R79	Mini J cabinet 8x17 tank without base, with salt grid, brine well, overflow elbow, RX-79B/DVS-R control valve	598 x 470 x 320	8x17	874
PA602+PV019+R79	Maxi J cabinet 9x35 tank without base, with salt grid, brine well, overflow elbow, RX-79B/DVS-R control valve	1055 x 475 x 325	9x35	874
PA603+PV022+R79	Mini B cabinet 10x17 tank without base, brine well, overflow elbow, RX-79B/DVS-R control valve	615 x 525 x 325	10x17	874
PA604+PV024+R79	Maxi B cabinet 10x35 tank without base, brine well, overflow elbow, RX-79B/DVS-R control valve	1070 x 525 x 325	10x35	874
PA003	Brine well for 17" cabinet	-	-	815
PA005	Brine well for 35" cabinet	-	-	815
PA007	Brine well for 44" K cabinet	-	-	815
H7000	Overflow elbow for 25-350 liter brine tanks	-	-	815



J cabinets

**If you are interested in our B and J cabinets,
please contact our sales agents!**



B cabinets



Elba cabinets



K cabinets

2022/Brine tanks



BT604-350

BT605-750

BT608-1500

BT606-500

BT603-200

Part number	Products	Size (mm) H x W x L	Gr. #
BT600-25	Brine tank, grid, brine well, 25 L	440 x 285 x 285	862
BT601-70	Brine tank, grid, brine well, 70 L	815 x 400 x 400	862
BT602-145	Brine tank, grid, brine well, 145 L	875 x 460 x 460	862
BT603-200	Brine tank, grid, brine well, 200 L	1160 x 550 x 550	861
BT604-350	Brine tank, grid, brine well, 350 L	1275 x 740 x 740	861
BT605-500	Brine tank, grid, brine well, 500 L	1335 x 840 x 840	861
BT606-750	Brine tank, grid, brine well, 750 L	1395 x 960 x 960	861
BT607-1000	Brine tank, grid, brine well, 1000 L	1460 x 1080 x 1080	861
BT608-1500	Brine tank, grid, brine well, 1500 L	1575 x 1240 x 1240	861
BT609-2000	Brine tank, grid, brine well, 2000 L	1690 x 1360 x 1360	861



BT603-25



BT601-70



BT602-145



H7000



H8000

815

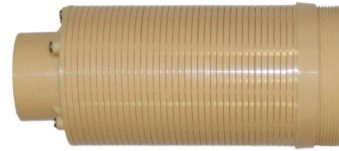
Part number	Products	Méret (mm) Ma x Ho x Szé
H7000	Overflow elbow for 25-350 liter brine tanks	-
H8000	Overflow elbow for 500-2000 liter brine tanks	-

2022/Accessories necessary to complete RX valve

To complete the control valve you have to choose one part from each table!

821

Part number	Top distributors
P01/34	Top distributor d25
P01/1	Top distributor d32 - only for RX-56F-MHF valve
Top distributor for 2" or bigger RX valves please choose from page 11-14.	



Part number	Bottom distributors	Gr. #
CP17	Bottom distributor d25 with central pipe for 17" vessel	821
CP35	Bottom distributor d25 with central pipe for 35" vessel	821
CP54	Bottom distributor d25 with central pipe for 54" vessel	821
CP65	Bottom distributor d25 with central pipe for 65" vessel	821
P02/1	Bottom distributor d32 - only for RX-56F-MHF valve	821
P02/34	Bottom distributor d25	821
310077P	1.05" - PVC Pipe	815
Bottom distributor for 2" or bigger RX valves please choose from page 11-14.		



434-BV air-check valve are equipped with floater with higher weight !

815

Part number	Brine suction valve
1600-BV	Air Check with 3/8" elbow lenght - 730 mm
1800-BV	Air Check with 3/8" elbow lenght - 920 mm
434-BV-L25	Brine valve with 3/8" elbow, lenght - 355 mm
434-BV-L80	Brine valve with 3/8" elbow, lenght - 730 mm
434-BV-L110	Brine valve with 3/8" elbow, lenght - 920 mm
1700-BVC	Air Check with 1/2" elbow lenght - 1500 mm
454-BV	Brine valve with 1/2" elbow lenght - 1100 mm

333

Part number	Brine suction pipe
PT-06	PE pipe 3/8"
I8065-1-T	Transparent PE pipe 3/8"
I8081	PE pipe 1/2"



1600-BV



434-BV-L80

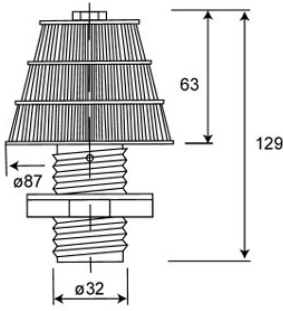


454-BV

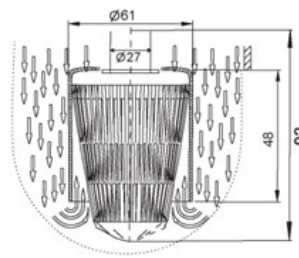
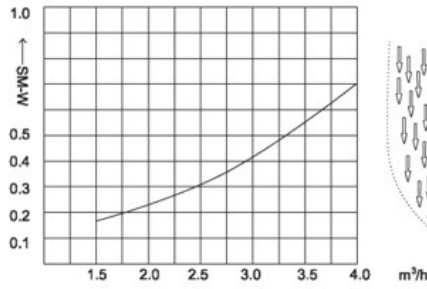


1700-BVC

2022/Distributors

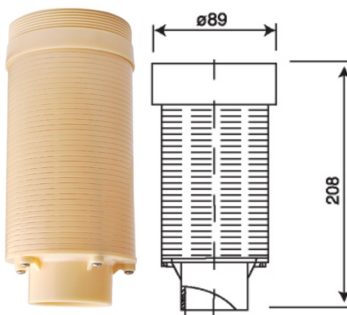


201-TM-0.25

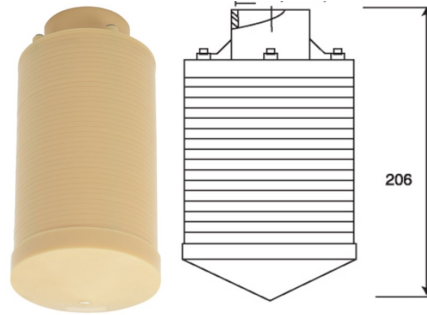
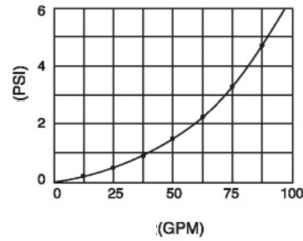


208-25-TM-0.25

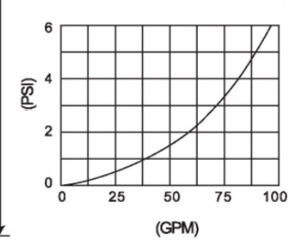
Part number	Products	Tank size	Gap size	Gr. #
201-TM-0.25	Bottom filtering candle	1m ³ /h	0.25mm	821
208-25-TM-0.25	Small bottom distributor d27	6-13"	0.25mm	821



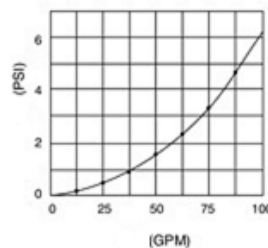
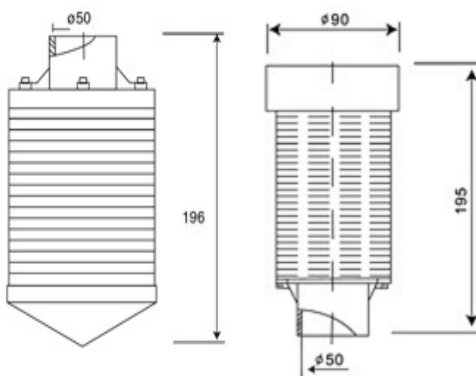
215-40-TM-0.25



217-40-TM-0.25

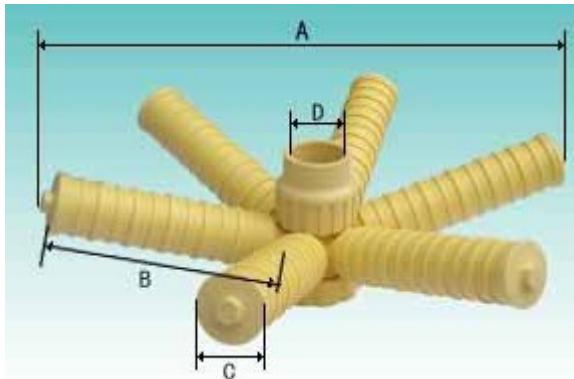


Part number	Products	Tank size	Gap size	Gr. #
215-40-TM-0.25	Top distributor d40	12-36"	0.25mm	821
217-40-TM-0.25	Bottom distributor d40	12-36"	0.25mm	821



821

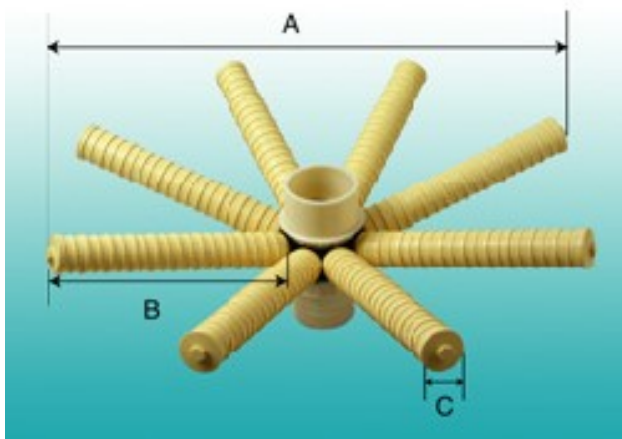
Part number	Products	Tank size	Gap size	Flow ($\Delta p=0,2bar$)
218-50-TM-0.25	Bottom distributor d50	12-36"	0.25mm	20 m ³ /h
216-50-TM-0.25	Top distributor d50	12-36"	0.25mm	20 m ³ /h
216D-50-TM-0.25	Top distributor double length d50	16-42"	0.25mm	30 m ³ /h



Part number	Flow. ($\Delta p=0,2\text{bar}$)
324-50-TM-0.25	15 m ³ /h
306-50-TM-0.25	16 m ³ /h
307-50-TM-0.25	17 m ³ /h
308-63-TM-0.25	18 m ³ /h
309-63-TM-0.25	20 m ³ /h
326-63-TM-0.25	32 m ³ /h
327-63-TM-0.25	36 m ³ /h

821

Part number	Products	Tank size	A	B	C	Gap size
324-50-TM-0.25	Bottom distributor d50 ; 6-arm	13-16"	260	82	53	0.25mm
306-50-TM-0.25	Bottom distributor d50 ; 6-arm	18-21"	370	136	53	0.25mm
307-50-TM-0.25	Bottom distributor d50 ; 6-arm	24"	450	182	53	0.25mm
308-63-TM-0.25	Bottom distributor d50/63 ; 6-arm	30"	620	260	53	0.25mm
309-63-TM-0.25	Bottom distributor d50/63 ; 6-arm	36-42"	710	330	53	0.25mm
326-63-TM-0.25	Bottom distributor d63 ; 2x6-arm	36-42"	710	330	53	0.25mm
327-63-TM-0.25	Bottom distributor d63 ; 2x6-arm	48"	930	410	53	0.25mm

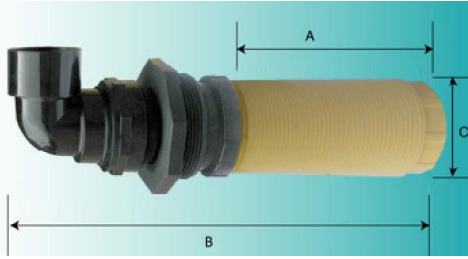


Part number	Flow. ($\Delta p=0,2\text{bar}$)
401-90-TM-0.25	17 m ³ /h
402-90-TM-0.25	28 m ³ /h
403-90-TM-0.25	30 m ³ /h
411-90-TM-0.25	32 m ³ /h
412-90-TM-0.25	40 m ³ /h
413-90-TM-0.25	50 m ³ /h

821

Part number	Products	Tank size	A	B	C	Gap size
401-90-TM-0.25	Bottom distributor d90 ; 8-arm	24"	512	190	53	0.25mm
402-90-TM-0.25	Bottom distributor d90 ; 8-arm	30"	630	256	53	0.25mm
403-90-TM-0.25	Bottom distributor d90 ; 8-arm	36"	750	318	53	0.25mm
411-90-TM-0.25	Bottom distributor d90 ; 8-arm	42"	870	380	53	0.25mm
412-90-TM-0.25	Bottom distributor d90 ; 2x8-arm	48"	980	445	53	0.25mm
413-90-TM-0.25	Bottom distributor d90 ; 2x8-arm	63"	1218	564	53	0.25mm

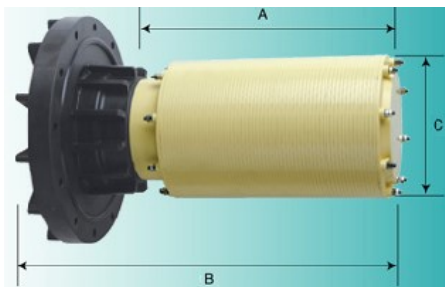
2022/Distributors



Part number	Flow. ($\Delta p=0,2\text{bar}$)
311-63-SM-0.25	20 m ³ /h
312-63-SM-0.25	26 m ³ /h
313-63-SM-0.25	34 m ³ /h

821

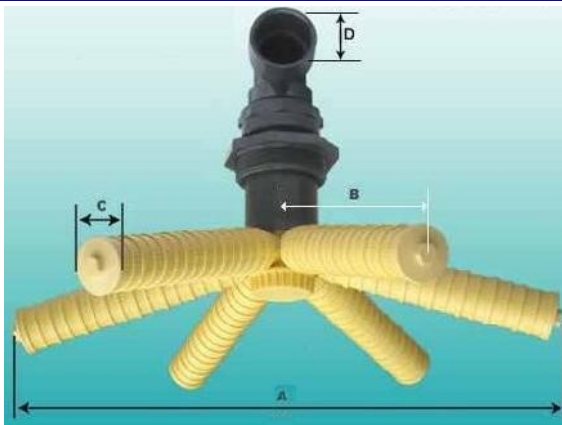
Part number	Products	Tank size	A	B	C	Gap size
311-63-SM-0.25	Top distributor d63	14-30"	180	400	88	0.25mm
312-63-SM-0.25	Top distributor d63	21-36"	242	472	88	0.25mm
313-63-SM-0.25	Top distributor d63	30-36"	310	540	88	0.25mm



Part number	Flow. ($\Delta p=0,2\text{bar}$)
415-90-TM-0.2	40 m ³ /h
416-90-TM-0.2	50 m ³ /h
417-90-TM-0.2	60 m ³ /h

821

Part number	Products	Tank size	A	B	C	Gap size
415-90-SM-0.25	Top distributor d90	42-48"	260	360	140	0.25mm
416-90-SM-0.25	Top distributor d90	48-64"	330	420	140	0.25mm
417-90-SM-0.25	Top distributor d90	64-80"	430	520	140	0.25mm

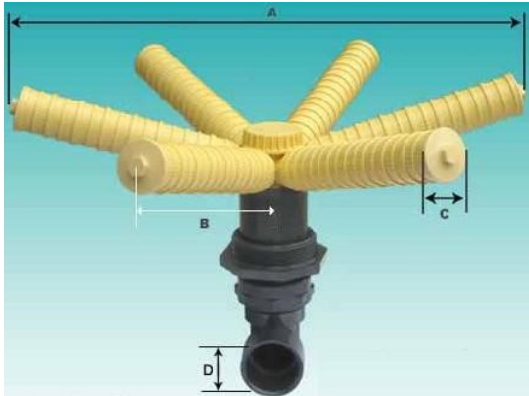


Part number	Flow. ($\Delta p=0,2\text{bar}$)
325-63-SM-0.25	15 m ³ /h
319-63-SM-0.25	16 m ³ /h
320-63-SM-0.25	17 m ³ /h
321-63-SM-0.25	18 m ³ /h
322-63-SM-0.25	20 m ³ /h
329-63-SM-0.25	36 m ³ /h

821

Part number	Products	Tank size	A	B	C	Gap size
325-63-SM-0.25	Top distributor d63 6 arm	13-16"	260	82	53	0.25mm
319-63-SM-0.25	Top distributor d63 6 arm	18-21"	370	136	53	0.25mm
320-63-SM-0.25	Top distributor d63 6 arm	24"	450	182	53	0.25mm
321-63-SM-0.25	Top distributor d63 6 arm	30"	620	260	53	0.25mm
322-63-SM-0.25	Top distributor d63 6 arm	36-42"	710	330	53	0.25mm
328-63-SM-0,25	Top distributor d63 2x6 arm	36-42"	710	330	53	0.25mm
329-63-SM-0.25	Top distributor d63 2x6 arm	48"	930	410	53	0.25mm

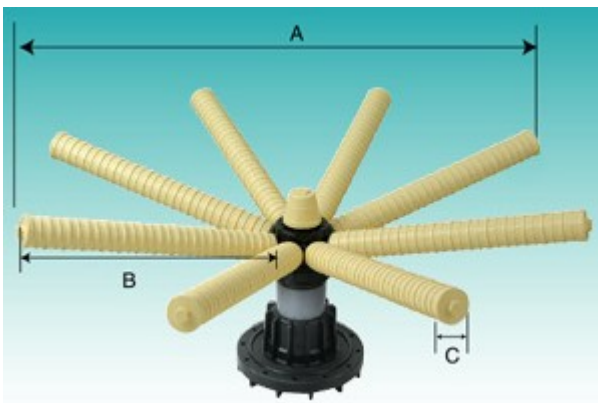
2022/Distributors



Part number	Flow. ($\Delta p=0,2\text{bar}$)
325-63-SM-0.25	15 m ³ /h
319-63-SM-0.25	16 m ³ /h
320-63-SM-0.25	17 m ³ /h
321-63-SM-0.25	18 m ³ /h
322-63-SM-0.25	20 m ³ /h
328-63-SM-0.25	32 m ³ /h
329-63-SM-0.25	36 m ³ /h

821

Part number	Products	Tank size	A	B	C	Gap size
325-63-SM-0.25	Bottom distributor d63 ; 6 arm	13-16"	260	82	53	0.25mm
319-63-SM-0.25	Bottom distributor d63 ; 6 arm	18-21"	370	136	53	0.25mm
320-63-SM-0.25	Bottom distributor d63 ; 6 arm	24"	450	182	53	0.25mm
321-63-SM-0.25	Bottom distributor d63 ; 6 arm	30"	620	260	53	0.25mm
322-63-SM-0.25	Bottom distributor d63 ; 6 arm	36-42"	710	330	53	0.25mm
328-63-SM-0.25	Bottom distributor d63 ; 2x6-arm	36-42"	710	330	53	0.25mm
329-63-SM-0.25	Bottom distributor d63 ; 2x6-arm	48"	930	410	53	0.25mm



Part number	Flow. ($\Delta p=0,2\text{bar}$)
418-90-SM-0.25	26 m ³ /h
419-90-SM-0.25	28 m ³ /h
420-90-SM-0.25	30 m ³ /h
421-90-SM-0.25	32 m ³ /h
429-90-SM-0.25	40 m ³ /h
430-90-SM-0.25	50 m ³ /h

821

Part number	Products	Tank size	A	B	C	Gap size
418-90-SM-0.25	Bottom distributor d90 ; 8-arm	24"	512	190	53	0.25mm
419-90-SM-0.25	Bottom distributor d90 ; 8-arm	30"	630	256	53	0.25mm
420-90-SM-0.25	Bottom distributor d90 ; 8-arm	36"	750	318	53	0.25mm
421-90-SM-0.25	Bottom distributor d90 ; 8-arm	42"	870	380	53	0.25mm
429-90-SM-0.25	Bottom distributor d90 ; 2x8-arm	48"	980	445	53	0.25mm
430-90-SM-0.25	Bottom distributor d90 ; 2x8-arm	63"	1218	564	53	0.25mm

2022/Runxin valve functions

↓ Model / Function →	Signal output connector	Pressure release connector	Remote handling connector	Interlock connector	Disinfection connector
RX-63A/DTS, RX-63C/DVS, RX-68D/DVS, RX-65A/DTS, RX-65C/DVS, RX-69D/DVS, RX-67C/DTF	●			●	
RX-63A/DVS, RX-63B/DVS, RX-65A/DVS, RX-65B/DVS, RX-65C/DHS	●	●	●	●	
RX-79B/DVS, RX-79B/DVS-EC, RX-82B/DVS, RX-82B/DVS-EC	●		●		●
RX-92A/DVS	●		●	●	
RX-74A/DVS, RX-75A/DTF, RX-77A/DVS, RX-77A/DTF	●	●	●	●	
RX-99A/DVS	●	●	●	●	
RX-111A/DTF, RX-112SM/DTF, RX-112SM/DVS	●	●	●	●	
RX-96SM/DVS	●	●	●	●	
RX-73A/DVS	●	●	●		
RX-135A/DVS	●	●	●		

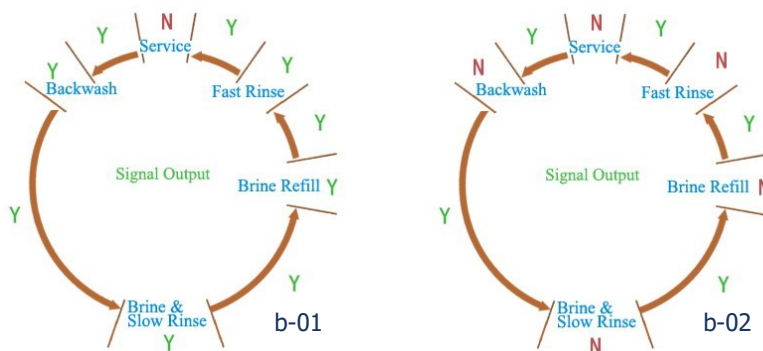
Signal output connector

- There is a signal output connector on the main control board. It is for controlling external wiring.

There are two kinds of output modes:

b-01 mode: Turn on start of regeneration and shut off end of regeneration.

b-02 mode: Signal available only at intervals of regeneration cycles and in service.

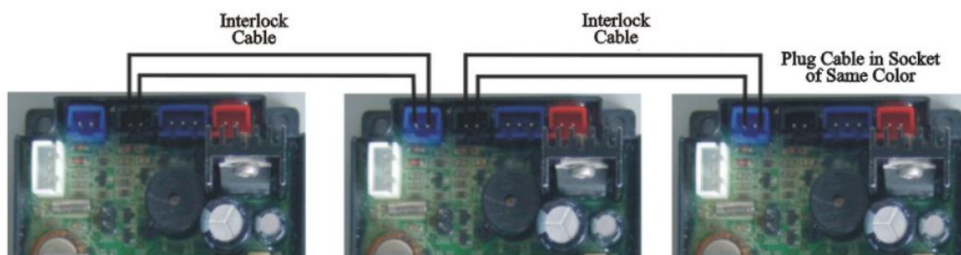


Note:

„Y” - There is signal.
„N” - There is no signal.

Interlock connector

- One time one control valve is able to regenerate only, so the softener is able to service soft water continuously.

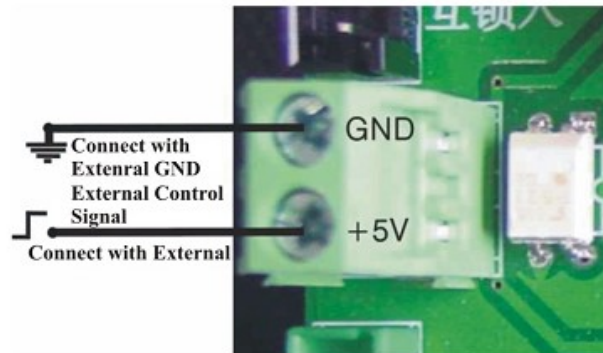


Network System Wiring with Interlock Cable

2022/Runxin valve functions

Signal output connector

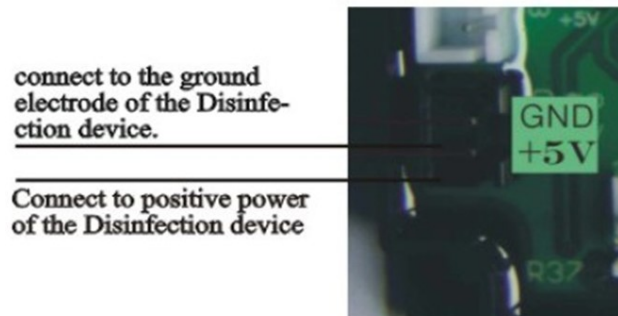
- Used for making pure water, connected with online monitory system or PC machine: when the conductivity or other parameter reach the setting valve or PC machine give the signal, need regeneration. It can give signal to the remote handling connector of the main control board to let it regenerate by signal time. The connector receives the signal is as same as handle press.



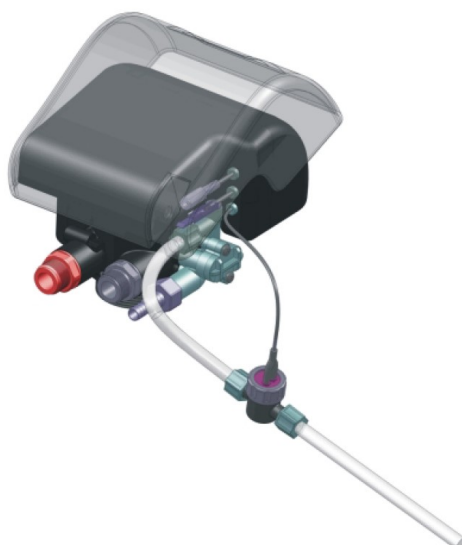
Wiring of remote input

Disinfection connector / Disinfection device (optional)

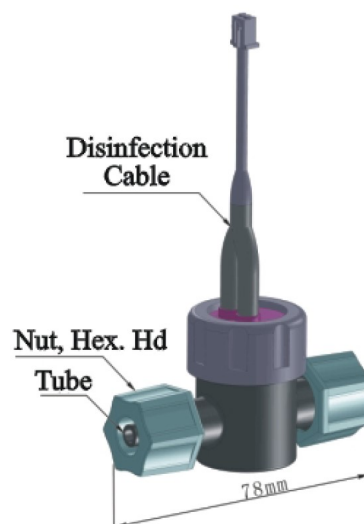
- The valve has the disinfection connector which can supply DC5V / 200mA power output under Brine status. It can make a part of brine water electrolyzed, producing hypochlorous acid to sterilize and disinfect the resin.



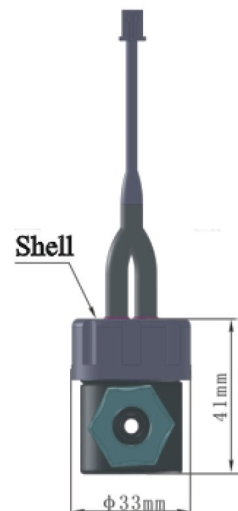
Wiring of disinfection device



Connection of disinfection device



Structure and size of disinfection device



2022/Control valve accessories



RX-CV-12



RX-CV-34



RX-CV-1



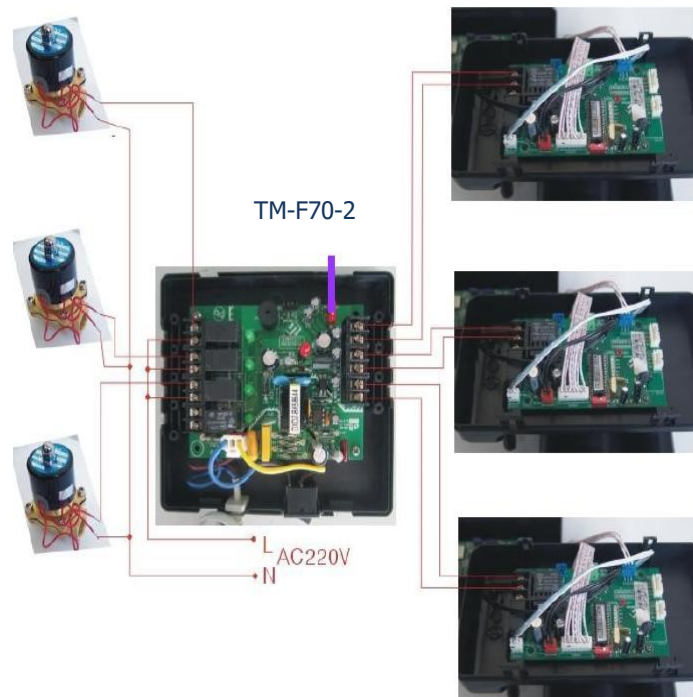
RX-CV-2

833

Part number	Products	Conn.	Mat.	Bar	°C	Lenght
RX-CV-12	Ceramic high flow check valve	1/2"	POM	0-6	0-80	
RX-CV-34	Ceramic high flow check valve	3/4"	POM	0-6	0-80	90 mm
RX-CV-1	Ceramic high flow check valve	1"	POM	0-6	0-80	88 mm
RX-CV-2	Ceramic high flow check valve	2"	ABS	0-6	5-50	169 mm

RunXin ceramic high flow check valves

- Specially designed for RX control valves, they can be connected directly to the valves.
- Further advantage is the extremely low, micro pressure drop.



833

Part number	Products	Power
TM-F70-2	RX controller	230V, 50Hz

It synchronises the valves operation (one or two valves in service and one valve in standby)

2022/Control valve accessories



RX-AD12V



RX-AD24V

			833
Part number	Products	Voltage	Current
RX-AD12V	Adapter for 12V RX control valves	12V	1500 mA
RX-AD12V-2A	Adapter for RX-92 control valve	12V	2000 mA
RX-AD24V	Adapter for 24V RX control valves	24V	1500 mA
RX-AD24V-4A	Adapter for RX-96 and RX-112 control valve	24V	4000 mA



RX-P19



RX-WR

		833
Part number	Products	
RX-P19	2,5" height increaser connector	
RX-WR	RX service wrench	



		951
Part number	Products	
PVC-rag	PVC-U Tangit glue—1kg	
PVC-tis	PVC-U/C ABS Tangit cleaner—1kg	

2022/Overflow and manual control valves

Part No.	Products	Max. flow rate	Tank	In / out	Gr. #
RX-ATF34	In line valve, 2.5" top connection, with top distributor and CP35	2 m ³ /h	6-10"	3/4"	831
RX-ATF1	In line valve, 2.5" top connection, with top distributor and CP54	3 m ³ /h	6-12"	1"	831
RX-ATF2	In line valve, 4" top connection, without top and bottom distributor	16 m ³ /h	14-36"	2"	832
CA-ATF38	In line valve, 2.5" top connection, with top distributor and CP35	0.5 m ³ /h	6-10"	3/8"	831
CA-ATF12	In line valve, 2.5" top connection, with top distributor and CP35	1 m ³ /h	6-10"	1/2"	831
CA-ATF34	In line valve, 2.5" top connection, with top distributor and CP35	2 m ³ /h	6-12"	3/4"	831
CA-ATF1	In line valve, 2.5" top connection, with top distributor and CP54	2.5 m ³ /h	6-12"	1"	831



RX-ATF34



RX-ATF1



RX-ATF2



CA-ATF34

Valve model	RX-56E/MHF	RX-56F/MHF	RX-56D/MHF
Body material	ABS + GF10	ABS + GF10	ABS + GF10
Voltage	-	-	-
Flow rate (Pressure drop 1 bar)	1.3 m ³ /h	3.22 m ³ /h	8.2 m ³ /h
Max. flow rate (Pressure drop 1.75 bar)	1.7 m ³ /h	4.2 m ³ /h	10.8 m ³ /h
Service Kv value	1.3	3.22	8.2
Backwash Kv value	0.89	2.74	6.1
Inlet / Outlet	3/4"	1"	2"
Drain	3/4"	1"	1.5"
Brine line connector	-	-	-
Mounting base	2.5"	2.5"	4"
Riser pipe (mm)	d26,7	d32	d50
Flow meter	-	-	-
Installation type	Top-mounted	Top-mounted	Top-mounted
Tank size	6" ~ 10"	6" ~ 14"	10" ~ 24"
Gr. #	831	831	832

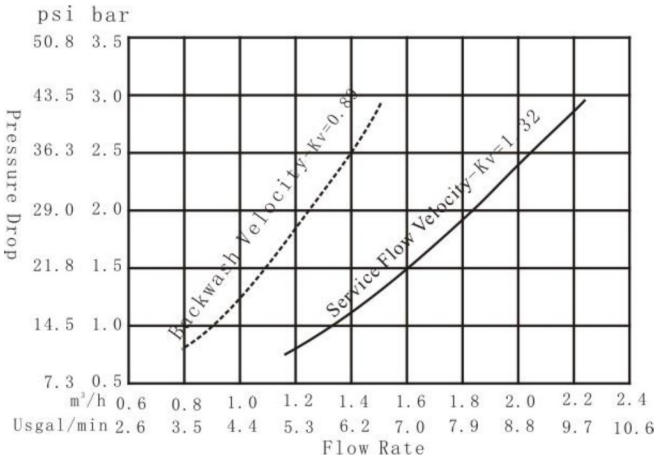


RX-56F/MHF

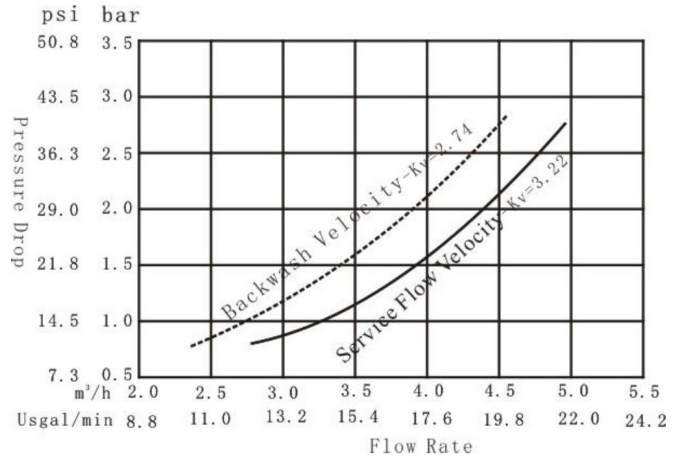


RX-56D/MHF

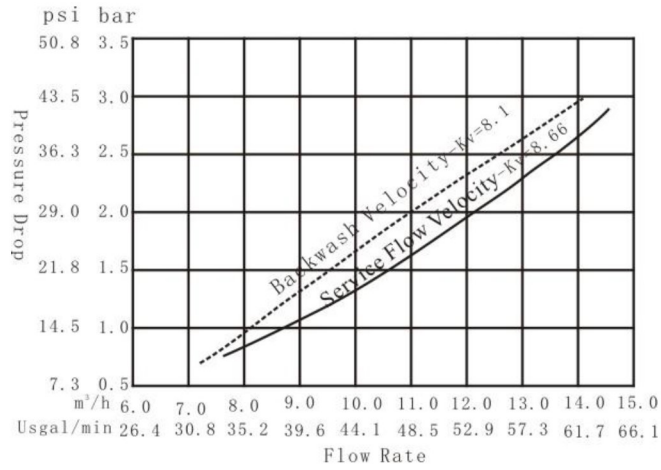
2022/Manual control valves flow charts



RX-56E/MHF



RX-56F/MHF



RX-56D/MHF

2022/Filtering control valves



RX-71C-DTF



RX-67B-DTF



RX-67C-DTF



RX-75C-DTF



RX-112SM-DTS



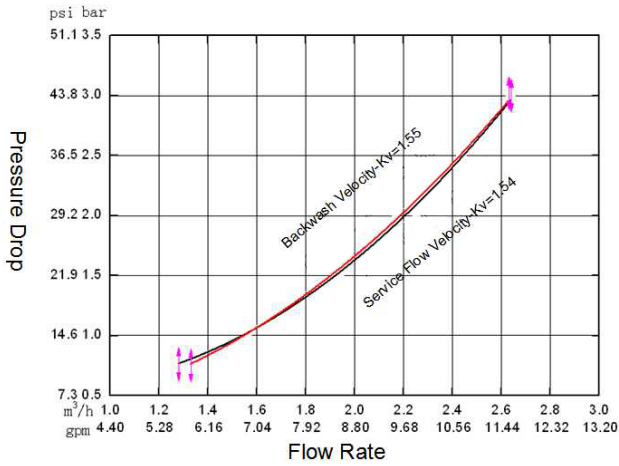
RX-111A-DTF



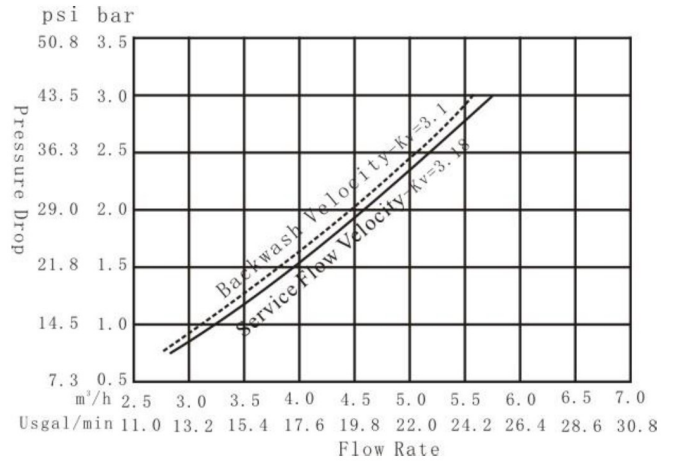
RX-75A-DTF

Valve model	RX-71C/DTF	RX-67B/DTF	RX-67C/DTF	RX-75A/DTF	RX-75C/DTF	RX-111A/DTF	RX-112SM/DTF
Body material	ABS + GF10	ABS + GF10	ABS + GF10	ABS + GF10	ABS + GF20	ABS + GF10	ABS + GF10
Voltage	DC12V	DC12V	DC12V	DC24V	DC24V	DC24V	DC24V
Flow rate (Pressure drop 1 bar)	1.5 m ³ /h	3.18 m ³ /h	3.18 m ³ /h	8.7 m ³ /h	7.5 m ³ /h	16.71 m ³ /h	36.17 m ³ /h
Max. flow rate (Pressure drop 1.75 bar)	2.1 m ³ /h	4.3 m ³ /h	4.3 m ³ /h	11.4 m ³ /h	10 m ³ /h	22.5 m ³ /h	47.5 m ³ /h
Service Kv value	1.54	3.18	3.18	8.7	7.6	16.71	36.17
Backwash Kv value	1.55	3.1	3.1	8.0	7.9	18.97	33.93
Inlet / Outlet	3/4"	1"	1"	2"	2"	2"	DN65
Drain	3/4"	1"	1"	2"	2"	2"	DN65
Brine line connector	-	-	-	-	-	-	-
Mounting base	2.5"	2.5"	2.5"	4"	4"	4"	-
Top and bottom conn.	-	-	-	-	-	-	DN80
Riser pipe	d26,7	d26,7	d26,7	d50	d50	d63	-
Flow meter	3/4"	1"	1"	-	-	-	-
Installation type	Top-mounted	Top-mounted	Top-mounted	Top-mounted	Top-mounted	Top-mounted	Side-mounted
Display mode	Four digit, digital	LED	Four digit, digital	LED	Four digit, digital	LED	LED
Gr. #	831	831	831	832	832	832	832

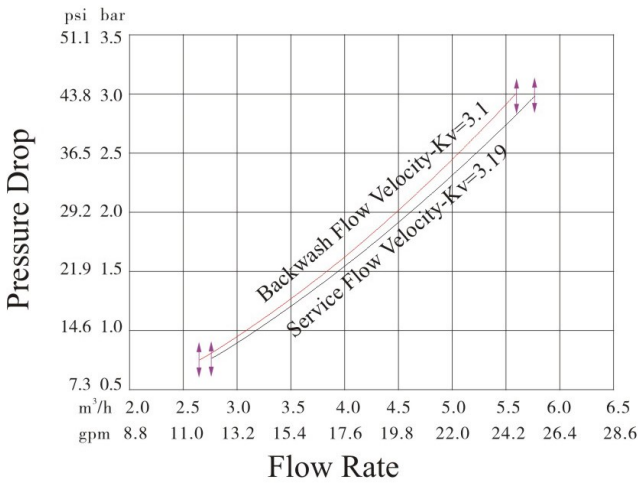
2022/Filtering control valves flow charts



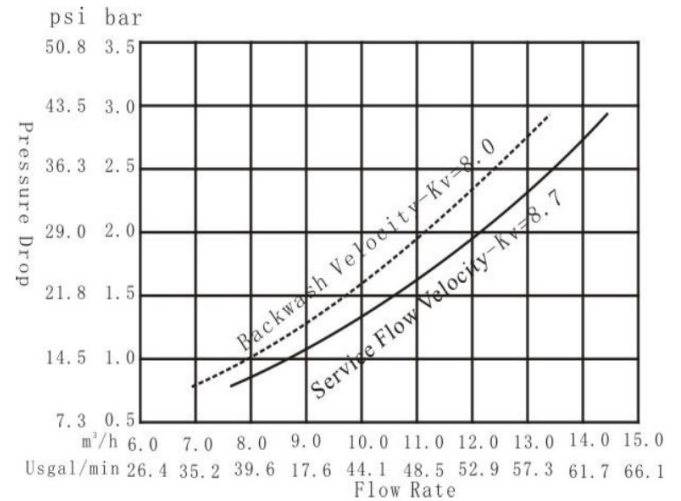
RX-71C/DTF



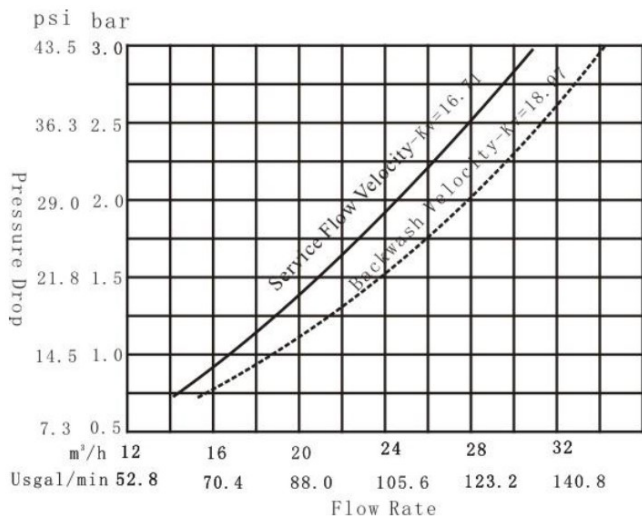
RX-67B/DTF



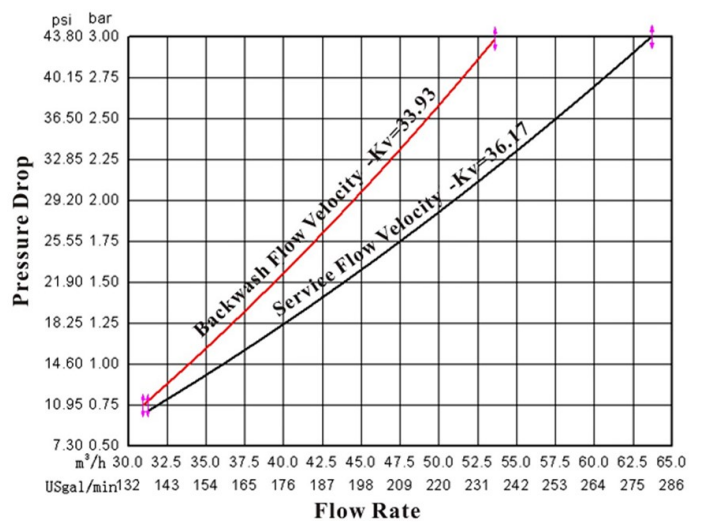
RX-67C/DTF



RX-75A/DTF



RX-111A/DTF



RX-112SM/DTF

2022/Manual and semi automatic water softener control valves



RX-64A/MHS



RX-65C/DHS



RX-ADJ

The RX-ADJ is an essential part of the RX-65C/DHS valve, without it you can't set up the valve!

The product needs to be ordered separately and it's NOT a part of the RX-65C/DHS valve by default!



RX-64D/MHS

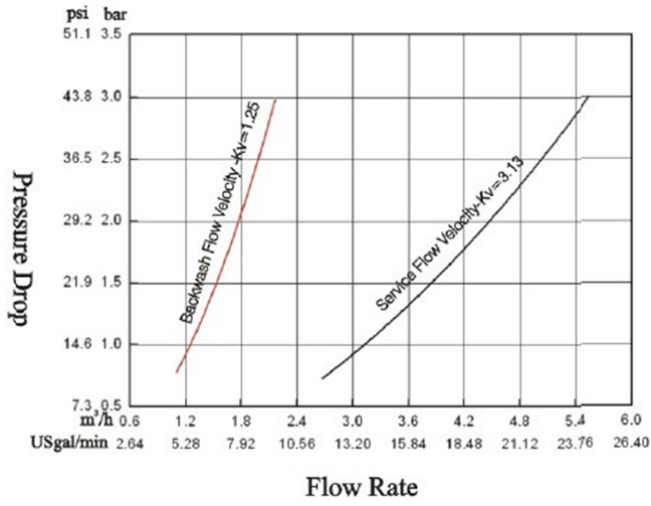


RX-64B/MHS

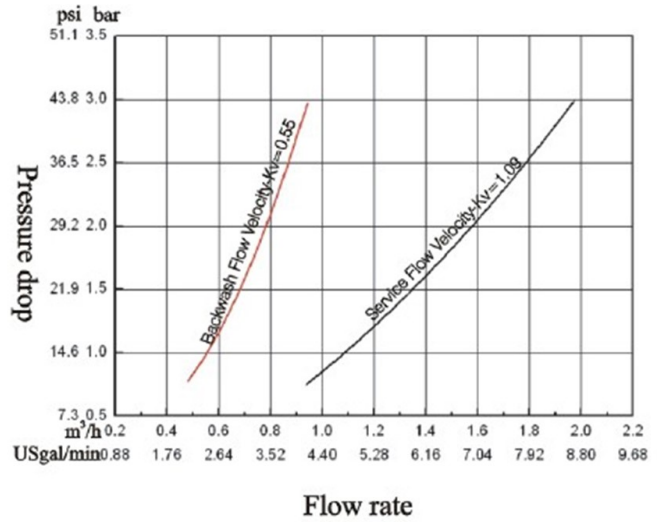
Part number	Product	Net Price USD	Gr. #
RX-ADJ	Control box for RX-65C/DHS valve	30,76	833

Valve model	RX-64A/MHS	RX-64B/MHS	RX-64D/MHS	RX-65C/DHS
Product	Manual softener valve	Manual softener valve	Manual softener valve	Manual softener valve
Body material	ABS + GF10	ABS + GF10	ABS + GF10	ABS + GF10
Voltage	-	-	-	DC12V
Flow rate (Pressure drop 1 bar)	1.25 m ³ /h	1.09 m ³ /h	6.5 m ³ /h	1.08 m ³ /h
Max. flow rate (Pressure drop 1.75 bar)	4.5 m ³ /h	1.5 m ³ /h	9.5 m ³ /h	1.5 m ³ /h
Service Kv value	3.13	1.09	6.5	1.08
Backwash Kv value	1.25	0.55	4.24	0.54
Inlet / Outlet	1"	3/4"	2"	3/4"
Drain	1/2"	1/2"	1"	1/2"
Brine line connector	3/8"	3/8"	1/2"	3/8"
Mounting base	2.5"	2.5"	4"	2.5"
Top and bottom conn.	-	-	-	-
Riser pipe	d26,7	d26,7	d50	d26,7
Flow meter	-	—	-	3/4"
Installation type	Top-mounted	Top-mounted	Top-mounted	Top-mounted
Hard water bypass	-	-	-	-
Display mode	-	-	-	Indicator
Matching bypass valve	-	-	-	RX-F70B/34
Matching injector	-	-	-	6301 ~ 6306
Gr. #	831	831	832	831

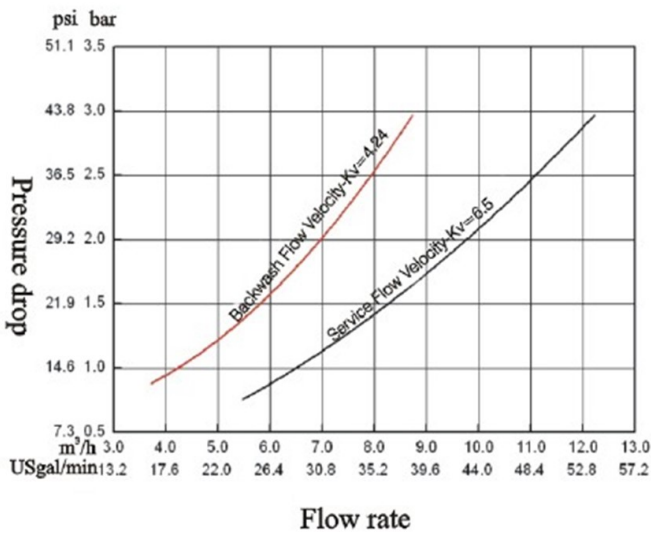
2022/Manual and semi automatic water softener control valves flow charts



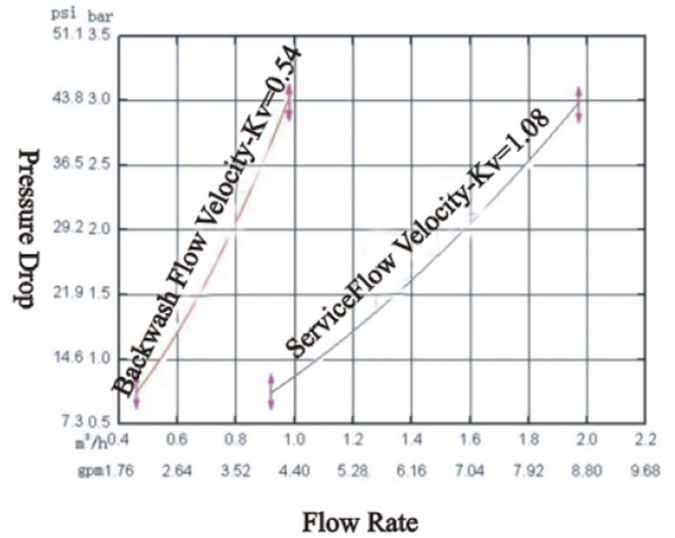
RX-64A/MHS



RX-64B/MHS



RX-64D/MHS



RX-65C/DHS

2022/Water softener control valves with 3/4" connection



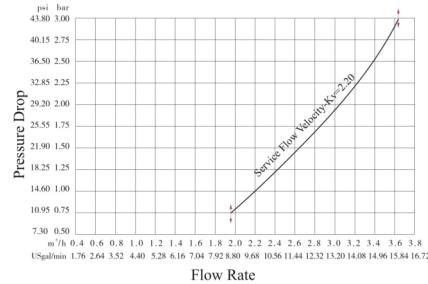
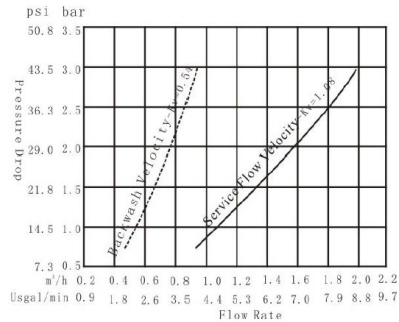
RX-65A/DTS ; RX-69D/DVS



RX-65B-DVS



RX-65C/DVS



Valve model	RX-65A/DTS	RX-65A/DVS	RX-65B/DVS	RX-65C/DVS	RX-65D/DVS RX-69D/DVS xx
Product	Automatic, time controlled softener valve	Automatic volume controlled softener valve	Automatic volume controlled softener valve	Automatic, volume controlled softener valve	Automatic, volume controlled softener valve
Body material	ABS + GF10	ABS + GF10	ABS + GF10	ABS + GF10	ABS + GF10
Voltage	DC12V	DC12V	DC12V	DC12V	DC12V
Flow rate (Pressure drop 1 bar)	1.1 m ³ /h	1.1 m ³ /h	1.1 m ³ /h	2.2 m ³ /h	1.1 m ³ /h
Max. flow rate (Pressure drop 1.75 bar)	1.5 m ³ /h	1.5 m ³ /h	1.5 m ³ /h	2.9 m ³ /h	1.5 m ³ /h
Service Kv value	1.08	1.08	1.08	2.20	1.08
Backwash Kv value	0.54	0.54	0.54		0.54
Inlet / Outlet	3/4"	3/4"	3/4"	3/4"	3/4"
Drain	1/2"	1/2"	1/2"	1/2"	1/2"
Brine line connector	3/8"	3/8"	3/8"	3/8"	3/8"
Mounting base	2.5"	2.5"	2.5"	2.5"	2.5"
Top and bottom conn.	-	-	-	-	-
Riser pipe	d26,7	d26,7	d26,7	d26,7	d26,7
Flow meter	3/4"	3/4"	3/4"	3/4"	3/4"
Installation type	Top-mounted	Top-mounted	Top-mounted	Top-mounted	Top-mounted
Hard water bypass	-	-	-	-	-
Display mode	Indicator	LED	LED	Indicator	Four digit, digital
Matching bypass valve	-	-	RX-F70B/34	-	RX-F70B/34
Matching injector	6301 ~ 6306	6301 ~ 6306	6301 ~ 6306	6301 ~ 6306	6301 ~ 6306
Gr. #	831	831	831	831	831

xx RX-65D/DVS and RX-69D/DVS are nearly the same. The difference: RX-65D/DVS is down-flow and the RX-69D/DVS is up-flow regeneration. RX-69D/DVS is up-dated control valve. So we will discontinue sales of the RX-65D/DVS.

2022/Water softener control valves with 1" connection



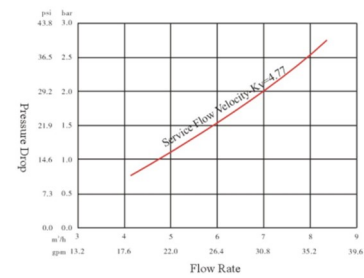
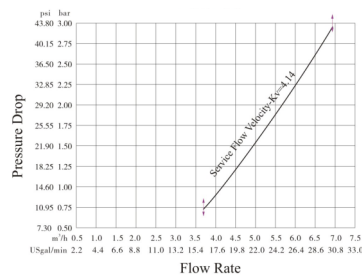
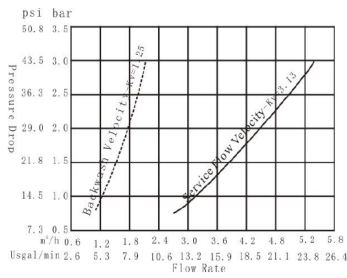
RX-63A/DTS



RX-63C/DVS ; RX-68D/DVS



RX-92A-DVS



Valve model	RX-63A/DTS	RX-63A/DVS	RX-63B/DVS	RX-63C/DVS	RX-63D/DVS RX-68D/DVS xxx	RX-92A/DVS
Product	Automatic, time controlled softener valve	Automatic volume controlled softener valve	Automatic volume controlled softener valve	Automatic, volume controlled softener valve	Automatic, volume controlled softener valve	Automatic, volume controlled softener valve
Body material	ABS + GF10	ABS + GF10	ABS + GF10	ABS + GF10	ABS + GF10	ABS + GF10
Voltage	DC12V	DC12V	DC12V	DC12V	DC12V	DC12V
Flow rate (Pressure drop 1 bar)	3.1 m³/h	3.1 m³/h	3.1 m³/h	4.1 m³/h	4.1 m³/h	4.7 m³/h
Max. flow rate (Pressure drop 1.75 bar)	4.2 m³/h	4.2 m³/h	4.2 m³/h	5.2 m³/h	5.2 m³/h	6.7 m³/h
Service Kv value	3.13	3.13	3.13	4.13	4.14	4.77
Backwash Kv value	1.25	1.25	1.25			
Inlet / Outlet	1"	1"	1"	1"	1"	1"
Drain	1/2"	1/2"	1/2"	1/2"	1/2"	3/4"
Brine line connector	3/8"	3/8"	3/8"	3/8"	3/8"	3/8"
Mounting base	2.5"	2.5"	2.5"	2.5"	2.5"	2.5"
Top and bottom conn.	-	-	-	-	-	-
Riser pipe	d26,7	d26,7	d26,7	d26,7	d26,7	d32
Flow meter	1"	1"	1"	1"	1"	1"
Installation type	Top-mounted	Top-mounted	Top-mounted	Top-mounted	Top-mounted	Top-mounted
Hard water bypass	-	-	-	-	-	-
Display mode	Indicator	LED	LED	Four digit, digital	Four digit, digital	LED
Matching bypass valve	-	-	RX-F70A/1	-	RX-F70A/1	-
Matching injector	6301 ~ 6310	6301 ~ 6310	6301 ~ 6310	6301 ~ 6310	6301 ~ 6310	6301 ~ 6310
Gr. #	831	831	831	831	831	831

xxx RX-63D/DVS and RX-68D/DVS are nearly the same. The difference: RX-63D/DVS is down-flow and the RX-68D/DVS is up-flow regeneration. RX-68D/DVS is up-dated control valve. So we will discontinue sales of the RX-63D/DVS.

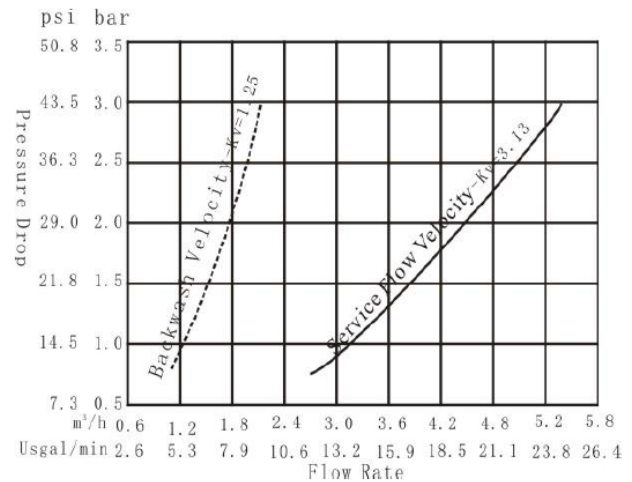
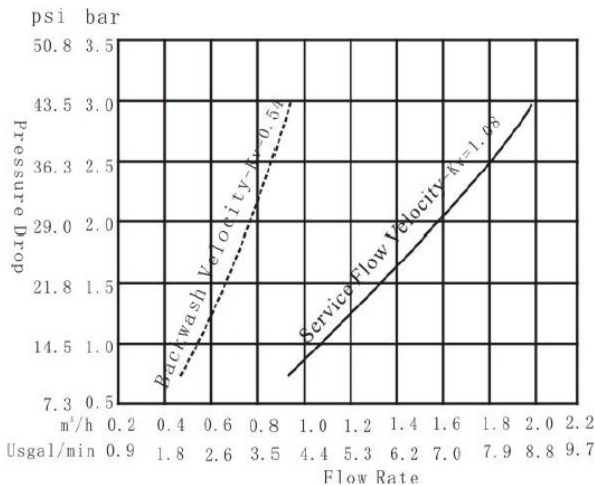
2022/Water softener control valves



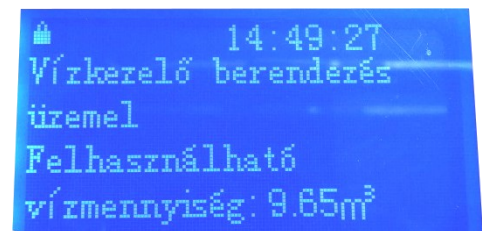
RX-79B-DVS



RX-82B-DVS



Valve model	RX-79B/DVS-EC	RX-82B/DVS-EC
Product	Automatic volume controlled softener valve	Automatic volume controlled softener valve
Body material	ABS + GF10	ABS + GF10
Voltage	DC12V	DC12V
Flow rate (Pressure drop 1 bar)	1.1 m³/h	3.1 m³/h
Max. flow rate (Pressure drop 1.75 bar)	1.5 m³/h	4.2 m³/h
Service Kv value	1.08	3.13
Backwash Kv value	0.54	1.25
Inlet / Outlet	3/4"	1"
Drain	1/2"	1/2"
Brine line connector	3/8"	3/8"
Mounting base	2.5"	2.5"
Top and bottom conn.	-	-
Riser pipe	d26,7	d26,7
Flow meter	3/4"	1"
Installation type	Top-mounted	Top-mounted
Hard water bypass	Yes	Yes
Display mode	LCD	LCD
6 language support	Yes	Yes
Matching bypass valve	RX-F70D/34	RX-F70C/1
Matching injector	6301 ~ 6306	6301 ~ 6310
Gr. #	831	831



- Blue LED display
- Intelligent up-flow regeneration
- Built-in mixing valve

6 language control valve:

- English
- Hungarian
- Czech
- Serbian
- German
- Romanian

2022/By-pass valves

Part No.	Products	In / Out	Flow rate at 3 bar	Connection	Gr. #
RX-F70A-1	Montage block for RX-63 valves	1"	4.0	Horizontal	833
RX-F70B-34	By-pass valve for RX-65 valves	3/4"	2.0	Horizontal	833
RX-F70FL-1	By-pass valve for RX-92 control valve	1"	6.0	Horizontal	833

Nominal pressure: 0,5 bar ~ 6 bar; Suitable temperature: 5°C ~ 50°C



RX-F70A-1



RX-F70B-34



RX-F70FL-1

Part No.	Products	In / Out	Flow rate at 3 bar	Connection	Gr. #
RX-F70C-1	By-pass valve for RX-82 valves	1"	4.0	Horizontal	833
RX-F70D-34	By-pass valve for RX-79, RX-105 valves	3/4"	2.0	Horizontal	833

Nominal pressure: 0,5 bar ~ 6 bar; Suitable temperature: 5°C ~ 50°C



RX-F70C-1



RX-F70D-34

Part No.	Products	In / Out	Flow rate at 3 bar	Connection	Gr. #
RX-F70CL-1	By-pass valve for RX-82-R vezérlőfejekhez	1"	4.0	Vertical	833
RX-F70DL-34	By-pass valve for RX-79-R vezérlőfejekhez	3/4"	2.0	Vertical	833

Nominal pressure: 0,5 bar ~ 6 bar; Suitable temperature: 5°C ~ 50°C



RX-F70CL-1



RX-F70DL-34

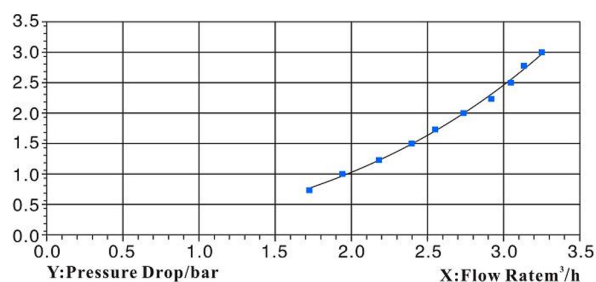
2022/Water softener control valve with remote control



Valve model	RX-105B/DVS
Product	Automatic volume controlled softener valve with remote control
Body material	ABS + GF10
Voltage	DC12V
Flow rate (Pressure drop 1 bar)	1.95 m ³ /h
Max. flow rate (Pressure drop 1.75 bar)	2.55 m ³ /h
Service Kv value	1.95
Backwash Kv value	-
Inlet / Outlet	3/4"
Drain	1/2"
Brine line connector	3/8"
Mounting base	2.5"
Top and bottom conn.	-
Riser pipe	1.05" OD
Flow meter	3/4"
Installation type	Top-mounted
Hard water bypass	Yes
Display mode	LED
Matching bypass valve	RX-F70D/34
Matching injector	6301 ~ 6306 + DLFC & BLFC
Gr. #	831

Characteristics

- High flow rate: 2.55m³/h at 1,75 bar pressure drop.
- Fully remote controlled with range up to 80m.
- Brine refill with softened water, save salt and water.
- Brine dry mode
- Vacation mode.
- Internal mixing function
- Disinfection function - RX/GYAF compatible
- Up-flow regeneration to save salt and water
- Raw water bypass during regeneration



2022/Control valves for mixed bed systems



RX-86/MB



RX-87/MB

Valve model	RX-86/MB	RX-87/MB
Product	Mixed bed water treatment control valve	Mixed bed water treatment control valve
Body material	ABS + GF10	ABS + GF10
Voltage	DC12V	DC12V
Flow rate (Pressure drop 1 bar)	1.69 m ³ /h	3.31 m ³ /h
Flow rate (Pressure drop 1.75 bar)	2.2 m ³ /h	4.6 m ³ /h
Service Kv value	1.69	3.31
Inlet / Outlet	3/4"	1"
Drain	3/4"	3/4"
Top strainer	3/4"	1"
Alkaline / Acid	3/8"	3/8"
Air In	1/2"	1/2"
Air Out	3/4"	3/4"
Installation type	Top mounted	Top mounted
Matching Injector	6301 ~ 6307	6301 ~ 6307
Display mode	LED	LED
Gr. #	831	831

Features

- LED display, remote signal input, keyboard lock and other functions
- Use first or second grade demineralized water to regenerate, can be switched in program
- Multi-times of connect and disconnect water at the end of backwash to improve the effect of layering of anion and cation resin
- When no water is used, valve can wait in service position. If power is cut, valve goes to fast rinse after powering on
- Resistivity on outlet. When outlet water is disqualified, it will regenerate automatically

Application

Mixed cation/anion resin bed desalination systems

2022/Water softener control valves with 2" and larger connection



RX-74A/DVS



RX-74C/DVS



RX-96SM/DVS



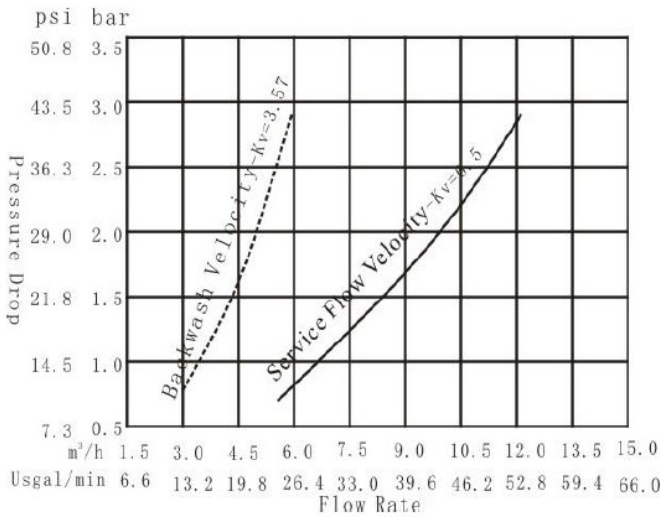
RX-99A/DVS



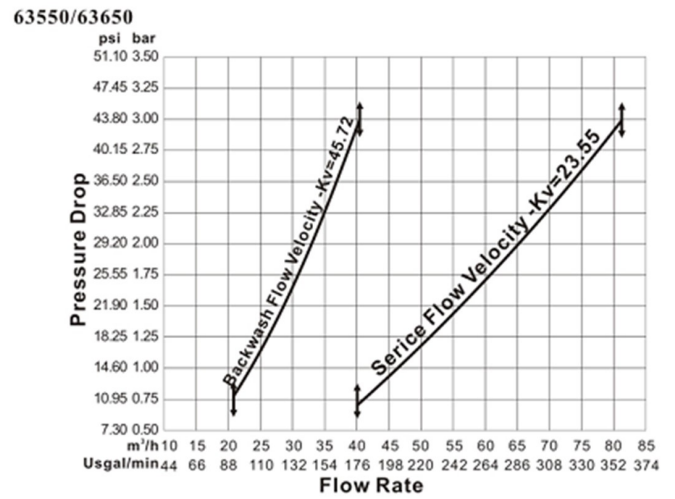
RX-112SM/DVS

Valve model	RX-74A/DVS	RX-74C/DVS	RX-99A/DVS	RX-112SM/DVS	RX-96SM/DVS
Product	Automatic volume controlled softener valve	Automatic volume controlled softener valve	Multi-functional flow control valve	Multi-functional flow control valve	Multi-functional flow control valve
Body material	ABS + GF10	ABS + GF20	ABS + GF10	ABS + GF10	ABS + GF10
Voltage	DC24V	DC24V	DC24V	DC24V	DC24V
Flow rate (Pressure drop 1 bar)	6.5 m ³ /h	6.5 m ³ /h	14.5 m ³ /h	36.91 m ³ /h	45.72 m ³ /h
Max. flow rate (Pressure drop 1.75 bar)	8.8 m ³ /h	9 m ³ /h	19 m ³ /h	48 m ³ /h	60.8 m ³ /h
Service Kv value	6.5	6.5	14.5	36.91	45.72
Backwash Kv value	3.57	4.24	5.72	18.92	16.73
Inlet / Outlet	2"	2"	2"	DN65	DN80
Drain	1"	1"	1.5"	DN65	DN80
Brine line connector	1/2"	1/2"	3/4"	3/4"	3/4"
Mounting base	4"	4"	4"	-	-
Top and bottom conn.	-	-	-	DN80	DN100
Riser pipe	d50	d50	d50	-	-
Flow meter	2"	2"		2.5"	3"
Installation type	Top mounted	Top mounted	Top mounted	Side-mounted with support legs	Side-mounted with support legs
Hard water bypass	-	-	-	-	-
Display mode	LED	Four digit, digital	LED	LED	LED
Matching bypass valve	-	-	-	-	-
Matching injector	7401 ~ 7404	7401 ~ 7404	7702 ~ 7704	7801 ~ 7804	7804 ~ 7805
Gr. #	832	832	832	832	832

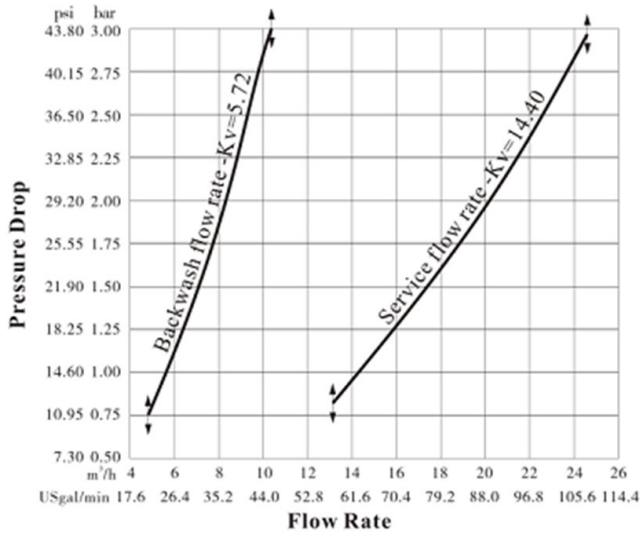
2022/Control valves flow charts



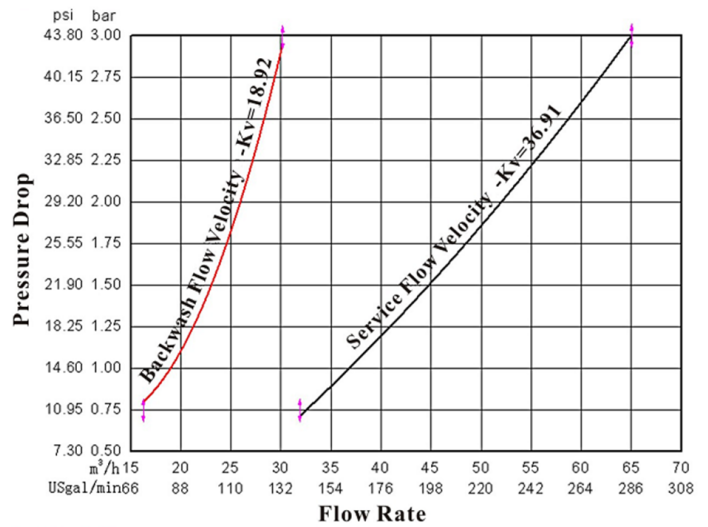
RX-74A/DVS



RX-96SM/DVS



RX-99A/DVS



RX-112SM/DVS

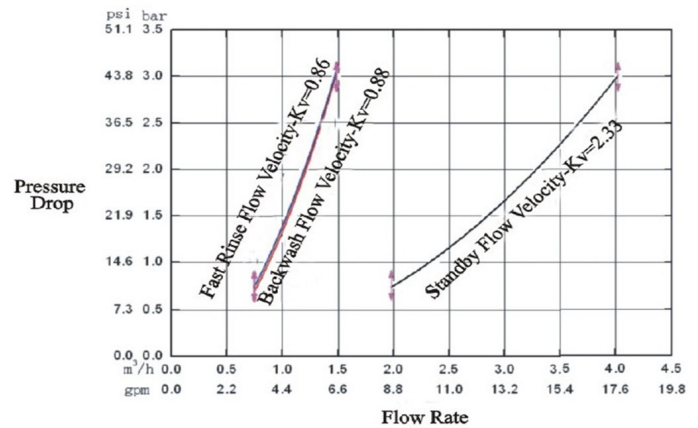
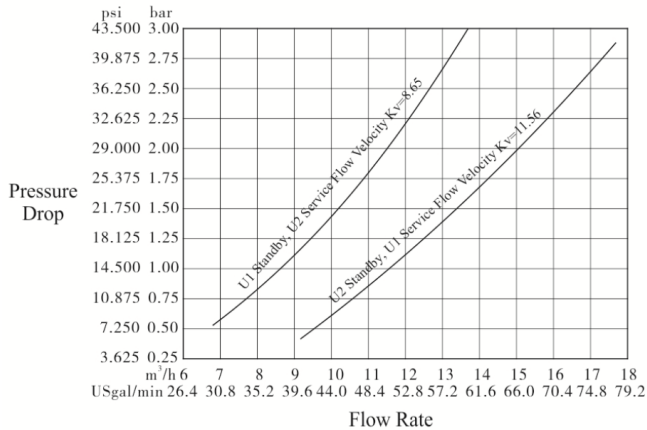
2022/Duplex water softener control valves



RX-135A/DVS



RX-73A/DVS



Valve model	RX-73A/DVS	RX-135A/DVS
Product	Volume controlled duplex softener valve	Automatic volume controlled twin softener valve
Distributor (not included in the price)	-	Top distributor: 215-40-TM-0.25 Bottom distributor: 217-40-TM-0.25 For specifications please check page 10.
Body material	ABS + GF10	ABS + GF10
Voltage	DC12V	DC24V / 1.5A
Flow rate (Pressure drop 1 bar)	2.33 m³/h	8.65 m³/h
Max. flow rate (Pressure drop 1.75 bar)	3.2 m³/h	11.65 m³/h
Service Kv value	2.33	8,66
Backwash Kv value	0.88	-
Inlet / Outlet	1"	1.5"
Drain	1/2"	3/4"
Brine line connector	3/8"	1/2"
Mounting base	2.5"	4"
Top and bottom conn.	-	d40
Riser pipe	d26,7	d40
Flow meter	-	1.5"
Installation type	Top mounted	Top-mounted, one in service and one in standby
Hard water bypass	-	-
Display mode	LED	LED
Matching bypass valve	-	-
Matching injector	6301 ~ 6310	2# (5468235)
Gr. #	831	831

2022/Twin water softener control valves



RX-74A-DVS



RX-99A/DVS



RX-96SM/DVS



RX-112SM/DVS

Valve model	RX-65AB1/DVS	RX-63AB1/DVS	RX-92AB1/DVS	RX-74AB1/DVS	RX-99AB1/DVS	RX-112AB1/DVS	RX-96AB1/DVS
Product	Volume controlled softener valve	Volume controlled softener valve	Volume controlled softener valve	Volume controlled softener valve	Volume controlled softener valve	Volume controlled softener valve	Volume controlled softener valve
Body material	ABS + GF10	ABS + GF10	ABS + GF10	ABS + GF10	ABS + GF10	ABS + GF10	ABS + GF10
Voltage	2 pcs DC12V	2 pcs DC12V	2 pcs DC12V	2 pcs DC24V	2 pcs DC24V	2 pcs DC24V	2 pcs DC12V
Flow rate (Pressure drop 1 bar)	2 x 2.33 m ³ /h	2 x 3.1 m ³ /h	2 x 4.77 m ³ /h	2 x 6.5 m ³ /h	2 x 14.40 m ³ /h	2 x 36 m ³ /h	2 x 45.72 m ³ /h
Max. flow rate (Pressure drop 1.75 bar)	2 x 3.2 m ³ /h	2 x 4.2 m ³ /h	2 x 6.6 m ³ /h	2 x 9.0 m ³ /h	2 x 18.4 m ³ /h	2 x 48 m ³ /h	2 x 60.8 m ³ /h
Service Kv value	2 x 2.33	2 x 3.13	2 x 4.77	2 x 6.5	2 x 14.40	2 x 36	2 x 45.72
Backwash Kv value	2 x 0.88	2 x 1.25	-	2 x 3.57	2 x 5.72	2 x 19	2 x 16.73
Inlet / Outlet	2 x 1"	2 x 1"	2 x 1"	2 x 2"	2 x 2"	2 x DN65	2 x DN80
Drain	2 x 1/2"	2 x 1/2"	2 x 3/4"	2 x 1"	2 x 1.5"	2 x DN65	2 x DN80
Brine line connector	2 x 3/8"	2 x 3/8"	2 x 3/8"	2 x 1/2"	2 x 3/4"	2 x 3/4"	2 x 3/4"
Mounting base	2 x 2.5"	2 x 2.5"	2 x 2.5"	2 x 4"	2 x 4"	-	-
Top and bottom conn.	-	-	-	-	-	2 x DN80	2 x DN100
Riser pipe	2 x d26,7	2 x d26,7	d32	2 x d50	2 x d50	-	-
Flow meter	2 x 3/4"	2 x 1"	-	2 x 2"	2 x 2"	2 x 2.5"	2 x 3"
Installation type	Top mounted	Top-mounted	Top-mounted	Top-mounted	Top mounted	Side-mounted with support legs	Side-mounted with support legs
Construction	2 pcs of Valve + Communication cable without PVC piping						
Hard water bypass	-	-	-	-	-	-	-
Display mode	Indicator	Indicator	LED	LED	LED	LED	LED
Matching bypass valve	-	-	-	-	-	-	-
Matching injector	6301 ~ 6310	6301 ~ 6310	6302 ~ 6310	17610.2# ~ 17610.3#	7401 ~ 7404	7801 ~ 7804	7804 ~ 7805
Gr. #	831	831	831	832	832	832	832

2022/Duplex water softener control valves



RX-74A-DVS



RX-99A/DVS



RX-96SM/DVS



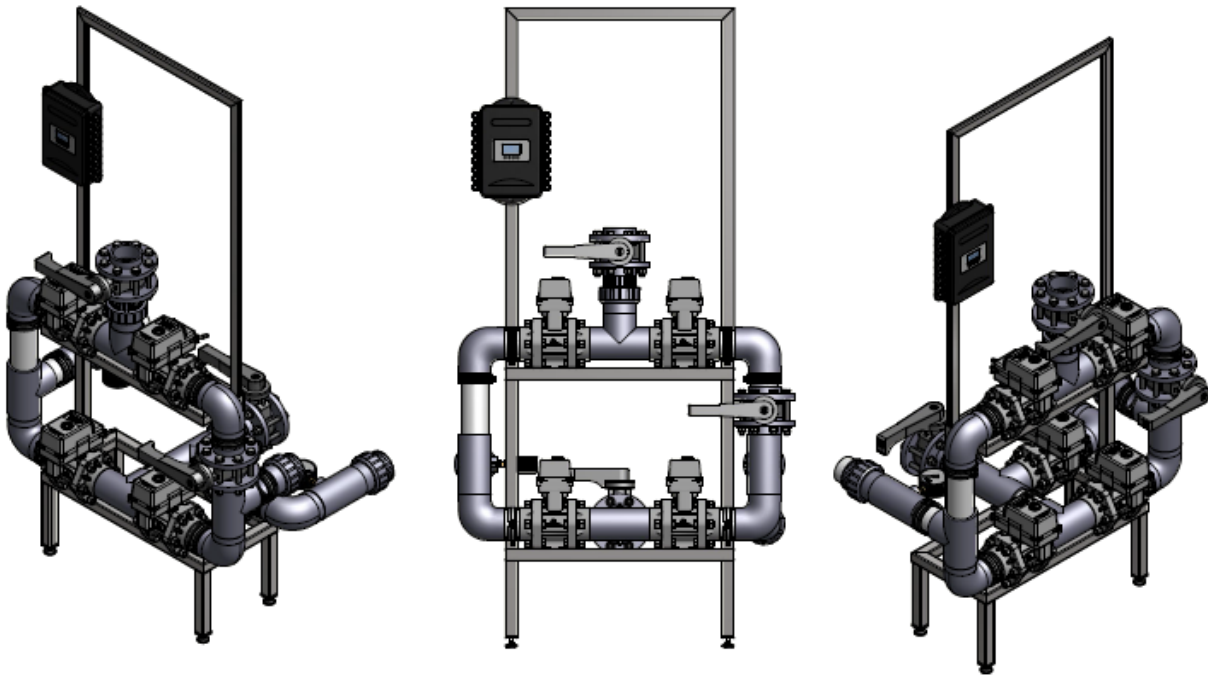
RX-112SM/DVS

Valve model	RX-65AB2/DVS	RX-63AB2/DVS	RX-92AB2/DVS	RX-74AB2/DVS	RX-99AB2/DVS	RX-112AB2/DVS	RX-96AB2/DVS
Product	Volume controlled softener valve	Volume controlled softener valve	Volume controlled softener valve	Volume controlled softener valve	Volume controlled softener valve	Volume controlled softener valve	Volume controlled softener valve
Body material	ABS + GF10	ABS + GF10	ABS + GF10	ABS + GF10	ABS + GF10	ABS + GF10	ABS + GF10
Voltage	DC12V	DC12V	DC12V	DC12V	DC12V	DC12V	DC12V
Flow rate (Pressure drop 1 bar)	2.33 m ³ /h	3.1 m ³ /h	4.77 m ³ /h	6.5 m ³ /h	14.40 m ³ /h	36 m ³ /h	45.72 m ³ /h
Max. flow rate (Pressure drop 1.75 bar)	3.2 m ³ /h	4.2 m ³ /h	6.6 m ³ /h	9.0 m ³ /h	18.4 m ³ /h	48 m ³ /h	60.8 m ³ /h
Service Kv value	2.33	3.13	4.77	6.5	14.40	36	45.72
Backwash Kv value	0.88	1.25	-	3.57	5.72	19	16.73
Inlet / Outlet	2 x 1"	2 x 1"	2 x 1"	2 x 2"	2 x 2"	2 x DN65	2 x DN80
Drain	2 x 1/2"	2 x 1/2"	2 x 3/4"	2 x 1"	2 x 1.5"	2 x DN65	2 x DN80
Brine line connector	2 x 3/8"	2 x 3/8"	2 x 3/8"	2 x 1/2"	2 x 3/4"	2 x 3/4"	2 x 3/4"
Mounting base	2 x 2.5"	2 x 2.5"	2 x 2.5"	2 x 4"	2 x 4"	-	-
Top and bottom conn.	-	-	-	-	-	2 x DN80	2 x DN100
Riser pipe	2 x d26,7	2 x d26,7	d32	2 x d50	2 x d50	-	-
Flow meter	2 x 3/4"	2 x 1"	-	2 x 2"	2 x 2"	2 x 2.5"	2 x 3"
Installation type	Top mounted	Top-mounted	Top-mounted	Top-mounted	Top mounted	Side-mounted with support legs	Side-mounted with support legs
Construction	2 pcs of Valve + Communication cable without PVC piping + 3-way valve						
Hard water bypass	-	-	-	-	-	-	-
Display mode	Indicator	Indicator	LED	LED	LED	LED	LED
Matching bypass valve	-	-	-	-	-	-	-
Matching injector	6301 ~ 6310	6301 ~ 6310	6302 ~ 6310	17610.2# ~ 17610.3#	7401 ~ 7404	7801 ~ 7804	7804 ~ 7805
Gr. #	831	831	831	832	832	832	832

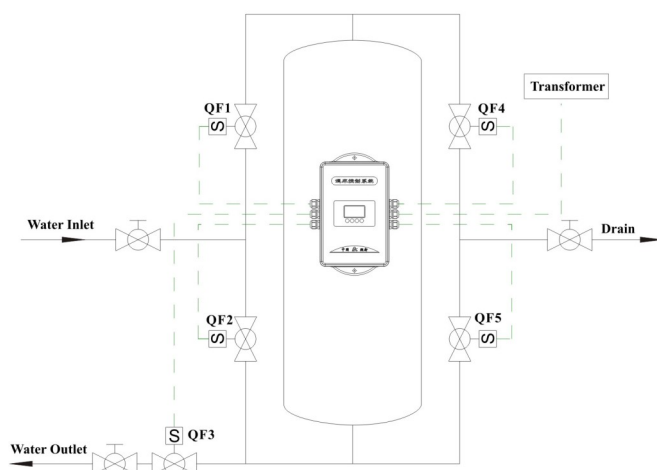
2022/Individual valve system

843

Part No.	Products	Inlet and outlet	Backwash inlet and drain	Dimension LxWxH (mm)	Service flow rate $\Delta p=0,2\text{bar}$	Backwash flow rate $\Delta p=0,8\text{bar}$
RX-FVS/D63	RX automatic time controlled individual valve system with motoric ceramic ball valves	DN50 Ø63	DN50 Ø63	2150x1100x1100	20 m ³ /h	30 m ³ /h
RX-FVS/D75	RX automatic time controlled individual valve system with motoric ceramic ball valves	DN63 Ø75	DN63 Ø75	2150x1100x1100	50 m ³ /h	75 m ³ /h
RX-FVS/D90	RX automatic time controlled individual valve system with motoric ceramic ball valves	DN80 Ø90	DN80 Ø90	2150x1100x1100	80 m ³ /h	120 m ³ /h



Flow chart and electronic ball valve open and close graph

**Accessories:**

- Stainless steel frame
- 5pcs ceramic ball valve
- PVC piping
- RX ball valve controller

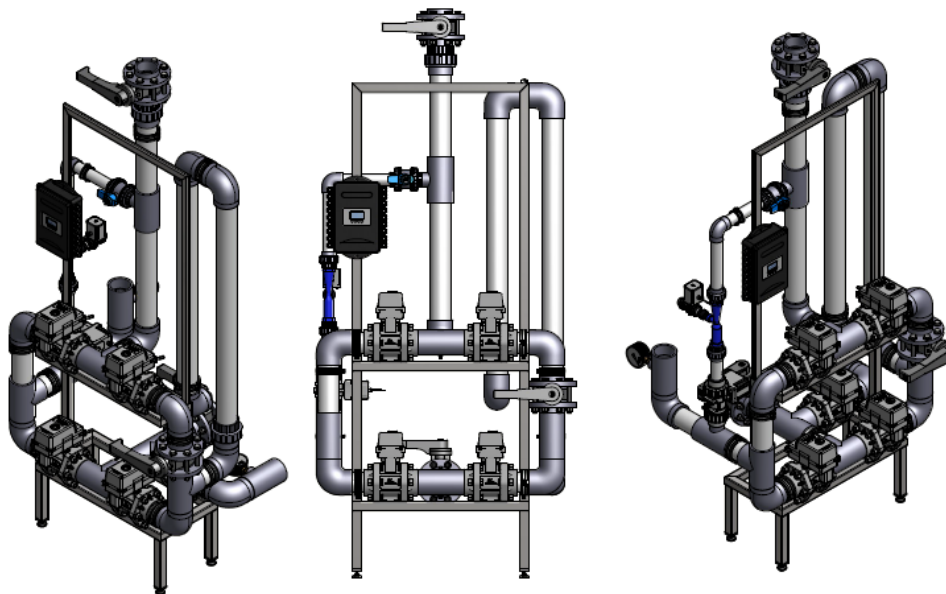
Working pressure: max. 10 bar
Temperature: 4-50°C

Working position	QF1	QF2	QF3	QF4	QF5
Service	Open		Open		
Backwash		Open		Open	
Fast rinse	Open				Open

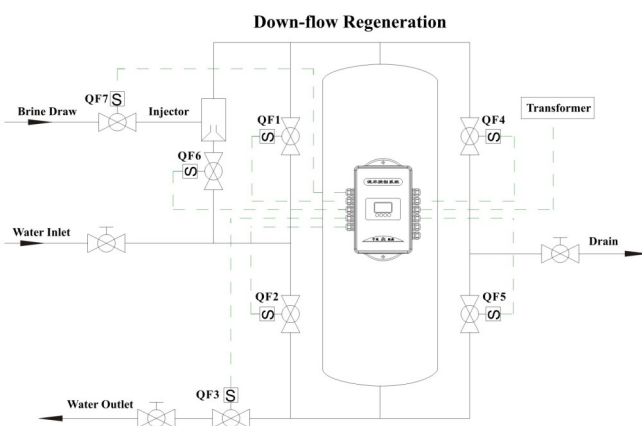
2022/Individual valve system

843

Part No.	Products	Inlet and outlet	Backwash inlet and drain	Dimension LxWxH (mm)	Service flow rate $\Delta p=0,2\text{bar}$	Backwash flow rate $\Delta p=0,8\text{bar}$
RX-SVS/D63	RX automatic time controlled individual valve system with motoric ceramic ball valves	DN50 Ø63	DN50 Ø63	2150x1100x1100	20 m ³ /h	30 m ³ /h
RX-SVS/D75	RX automatic time controlled individual valve system with motoric ceramic ball valves	DN63 Ø75	DN63 Ø75	2150x1100x1100	50 m ³ /h	75 m ³ /h
RX-SVS/D90	RX automatic time controlled individual valve system with motoric ceramic ball valves	DN80 Ø90	DN80 Ø90	2150x1100x1100	80 m ³ /h	120 m ³ /h



Flow chart and electronic ball valve open and close graph



Accessories:

- Stainless steel frame
- 6pcs ceramic ball valve
- PVC piping
- RX ball valve controller

Working pressure: max. 10 bar
 Temperature: 4-50°C

Working position	QF1	QF2	QF3	QF4	QF5	QF6	QF7
Service	Open		Open				
Backwash		Open		Open			
Brine Draw					Open	Open	Open
Slow Rinse					Open	Open	
Fast Rinse	Open				Open		
Brine Refill	Open		Open				Open

2022/Controller

Main Application & Applicability

Ball valve controller is matched with our two wires electronic ball valve to be filter & softener or mixed bed demineralized water treatment systems.

Product Characteristics

Can be used with our electronic ball valve (DN20~DN100)

Long outage indicator

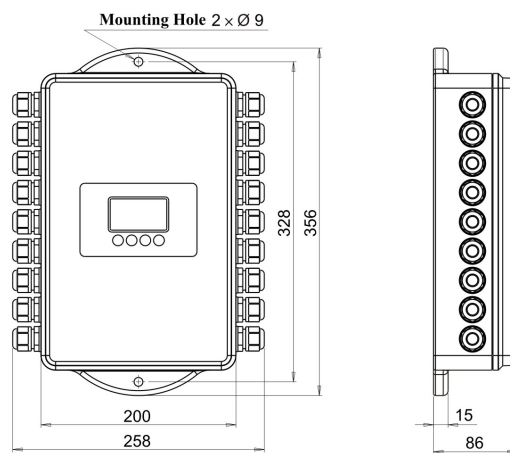
If outage overrides 3 days, the time of day indicator „12:12” will flash to remind people to reset new time of day. The other set parameters do not need to reset. The process will continue to work after power on.

Buttons lock

No operation to buttons on the controller within 1 minute, button lock indicator light on which represent buttons are locked. Before operation press and hold the „up,, and „down,, buttons for 5 seconds to unlock. This function can avoid incorrect operation.

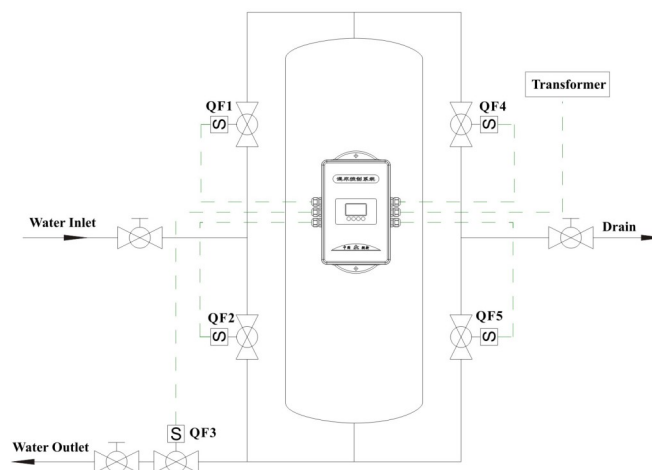
LCD dynamic screen display

LCD display for clarity

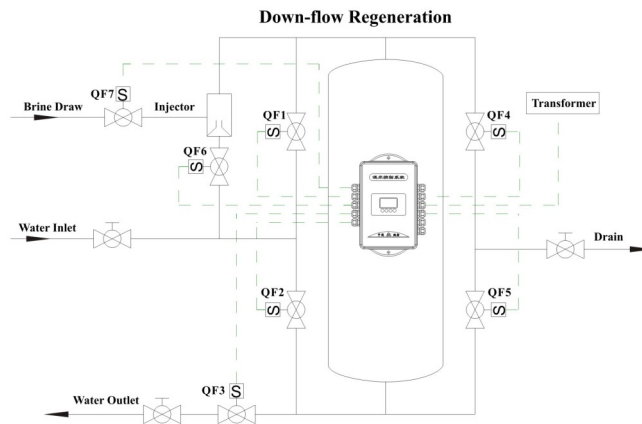


841

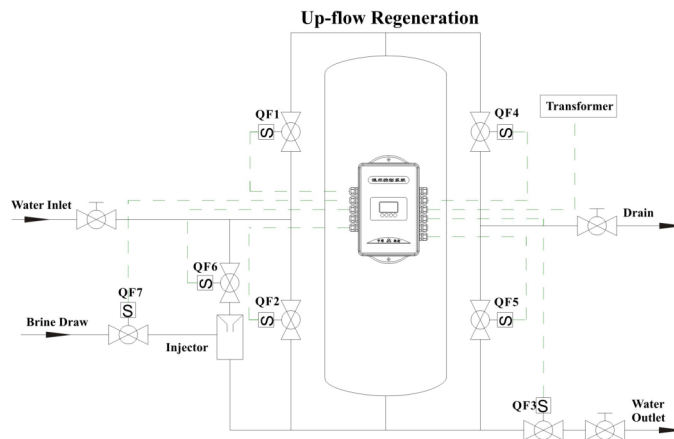
Model	Descriptioni	Transformer Input	Transformer Output	Environment Temperature (°C)
RX-109	RX ball valve controller	AC230~240 V / 50~60 Hz	DC24V, 2.0A	5-50 °C

Flow chart and electronic ball valve open and close graph

Working position	QF1	QF2	QF3	QF4	QF5
Service	Open		Open		
Backwash		Open		Open	
Fast rinse	Open				Open



Working position	QF1	QF2	QF3	QF4	QF5	QF6	QF7
Service	Open		Open				
Backwash		Open		Open			
Brine Draw					Open	Open	Open
Slow Rinse					Open	Open	
Fast Rinse	Open				Open		
Brine Refill	Open		Open				Open

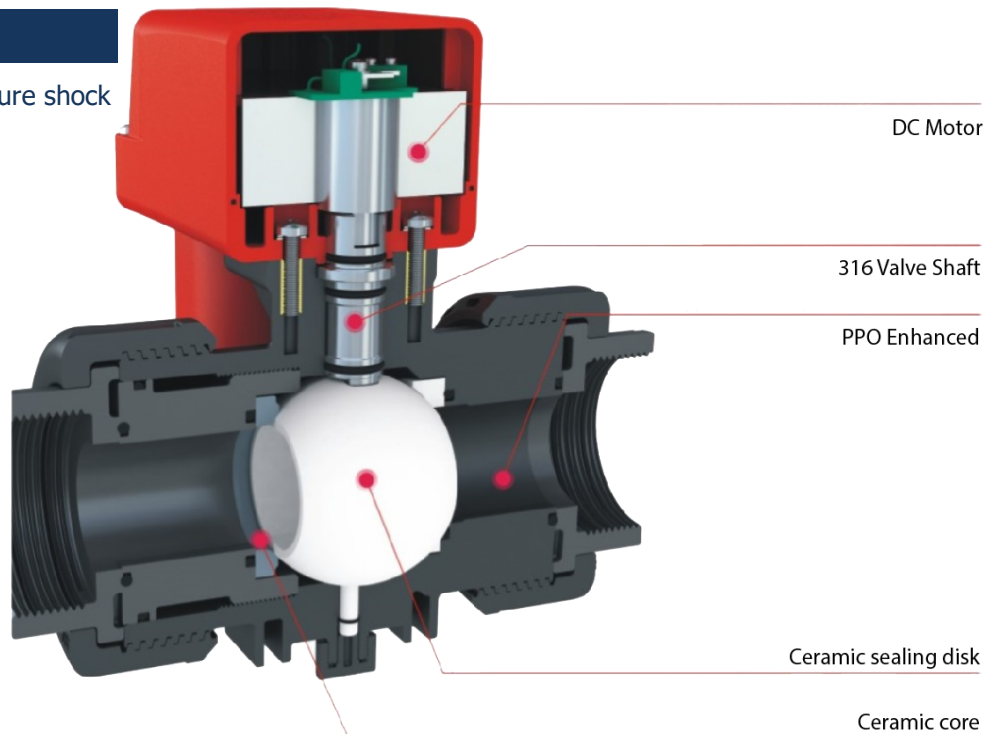


Working position	QF1	QF2	QF3	QF4	QF5	QF6	QF7
Service	Open		Open				
Backwash		Open		Open			
Brine Draw				Open		Open	Open
Slow Rinse				Open		Open	
Fast Rinse	Open				Open		
Brine Refill	Open		Open				Open

2022/Ceramic ball valves

Features

- Slow operation - no pressure shock
- High flux
- Low voltage
- Excellent lifetime
- Acid and alkali resistant



C B V - 3 - 1 5 M T SS

Shape

- - straight
- 3 - - 3 way valve

Size

DN	d	Inch
DN15	d20	1/2"
DN20	d25	3/4"
DN25	d32	1"
DN32	d40	1 1/4"
DN40	d50	1 1/2"
DN50	d63	2"
DN65	d75	
DN80	d90	

Material

- '' - PPO enhanced
- S - 304 type stainless steel
- SS - 316 type stainless steel

Connection

- T - thread
- G - glue type UPVC
- F - flange type

Control

- M - manual
- T - timer
- 2 - 2 wires with power reset normally closed
- 3 - 3 wires
- 5 - 5 wires with position feedback
- P - pneumatic

2022/Ceramic ball valves

Manual, UPVC, glue-type connection

842

Part number	Description	Size	Voltage
CBV-15MG(*)	Ceramic Manual Ball Valve	DN15	-
CBV-20MG	Ceramic Manual Ball Valve	DN20	-
CBV-25MG	Ceramic Manual Ball Valve	DN25	-
CBV-32MG	Ceramic Manual Ball Valve	DN32	-
CBV-40MG	Ceramic Manual Ball Valve	DN40	-
CBV-50MG	Ceramic Manual Ball Valve	DN50	-
CBV-65MG(*)	Ceramic Manual Ball Valve	DN65	-
CBV-80MG(*)	Ceramic Manual Ball Valve	DN80	-



Manual, Three-way Ball Valve, glue-type connection

842

Part number	Description	Size	Voltage
CBV-3-25MG	Ceramic Three-way Manual Ball Valve	DN25	-
CBV-3-32MG	Ceramic Three-way Manual Ball Valve	DN32	-
CBV-3-40MG	Ceramic Three-way Manual Ball Valve	DN40	-
CBV-3-50MG	Ceramic Three-way Manual Ball Valve	DN50	-

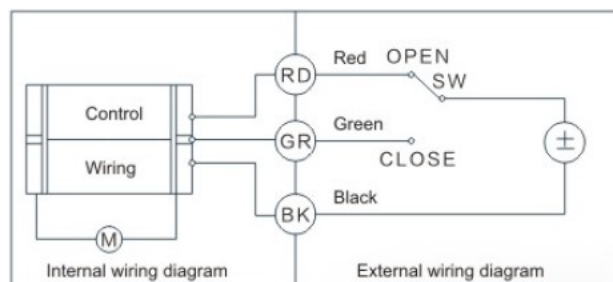


Electronic, Three-way Ball Valve, thread-type connection

842

Part number	Description	Size	Opening and closing time	Voltage
CBV-3-25-3T(*)	Ceramic Three-way Electronic Ball Valve	DN25	7.5 sec	24V
CBV-3-32-3T(*)	Ceramic Three-way Electronic Ball Valve	DN32	7.5 sec	24V
CBV-3-40-3T(*)	Ceramic Three-way Electronic Ball Valve	DN40	7.5 sec	24V
CBV-3-50-3T(*)	Ceramic Three-way Electronic Ball Valve	DN50	7.5 sec	24V

Three control wire; one common and one for each way.



Products with (*) sign are not kept on stock, delivery time is approx. 6-8 week.

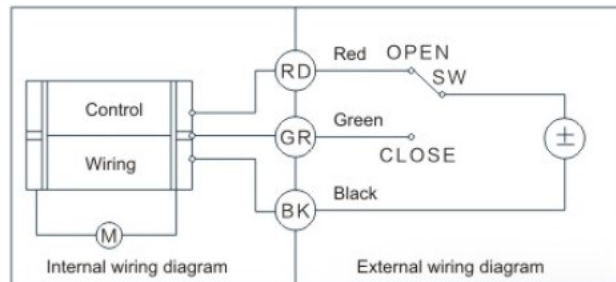
2022/Ceramic ball valves

Electronic, Three-way Ball Valve, glue-type connection.

842

Part number	Description	Size	Opening and closing time	Voltage
CBV-3-25-3G	Ceramic Three-way Electronic Ball Valve	DN25	7.5 sec	24V
CBV-3-32-3G(*)	Ceramic Three-way Electronic Ball Valve	DN32	7.5 sec	24V
CBV-3-40-3G(*)	Ceramic Three-way Electronic Ball Valve	DN40	7.5 sec	24V
CBV-3-50-3G	Ceramic Three-way Electronic Ball Valve	DN50	7.5 sec	24V

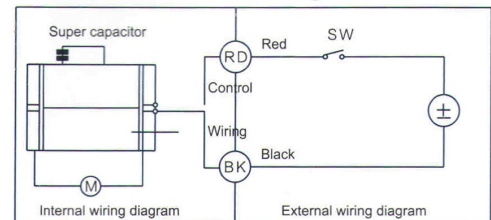
Three control wire; one common and one for each way.



Electronic, thread-type connection with 2 wires and power reset

842

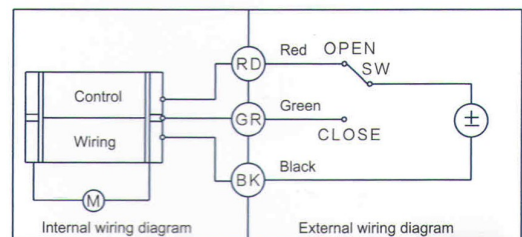
Part number	Description	Size	Voltage
CBV-15-2T(*)	Ceramic Electronic Ball Valve with 2 wires and power reset	DN15	24V
CBV-20-2T(*)	Ceramic Electronic Ball Valve with 2 wires and power reset	DN20	24V
CBV-25-2T(*)	Ceramic Electronic Ball Valve with 2 wires and power reset	DN25	24V



Electronic, thread-type connection with 3 wires

842

Part number	Description	Size	Volt.
CBV-15-3T(*)	Ceramic Electronic Ball Valve with 3 wires and power reset	DN15	24V
CBV-20-3T(*)	Ceramic Electronic Ball Valve with 3 wires and power reset	DN20	24V
CBV-25-3T(*)	Ceramic Electronic Ball Valve with 3 wires and power reset	DN25	24V
CBV-32-3T(*)	Ceramic Electronic Ball Valve with 3 wires and power reset	DN32	24V
CBV-40-3T(*)	Ceramic Electronic Ball Valve with 3 wires and power reset	DN40	24V
CBV-50-3T(*)	Ceramic Electronic Ball Valve with 3 wires and power reset	DN50	24V



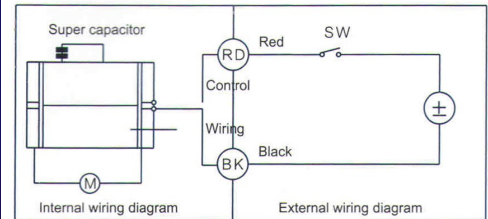
Products with (*) sign are not kept on stock, delivery time is approx. 6-8 week.

2022/Ceramic ball valves



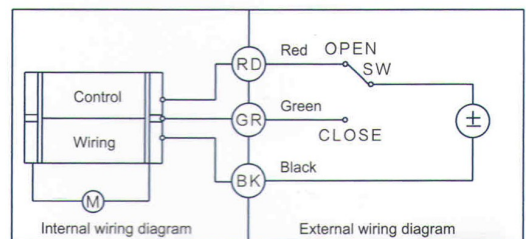
Electronic, glue-type connection with 2 wires and power reset, normally closed

				842
Part number	Description	Size	Voltage	
CBV-15-2G(*)	Ceramic Electronic Ball Valve with 2 wires and power reset	DN15	24V	
CBV-20-2G	Ceramic Electronic Ball Valve with 2 wires and power reset	DN20	24V	
CBV-25-2G	Ceramic Electronic Ball Valve with 2 wires and power reset	DN25	24V	



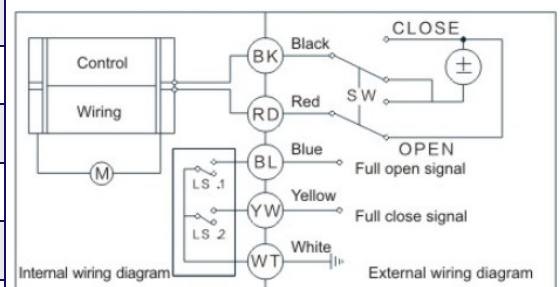
Electronic, Glue Type Connecting with 3 wires

				842
Part number	Description	Size	Voltage	
CBV-15-3G(*)	Ceramic Electronic Ball Valve with 3 wires	DN15	24V	
CBV-20-3G	Ceramic Electronic Ball Valve with 3 wires	DN20	24V	
CBV-25-3G	Ceramic Electronic Ball Valve with 3 wires	DN25	24V	
CBV-32-3G(*)	Ceramic Electronic Ball Valve with 3 wires	DN32	24V	
CBV-40-3G	Ceramic Electronic Ball Valve with 3 wires	DN40	24V	
CBV-50-3G	Ceramic Electronic Ball Valve with 3 wires	DN50	24V	
CBV-65-3G(*)	Ceramic Electronic Ball Valve with 3 wires	DN65	24V	
CBV-80-3G	Ceramic Electronic Ball Valve with 3 wires	DN80	24V	



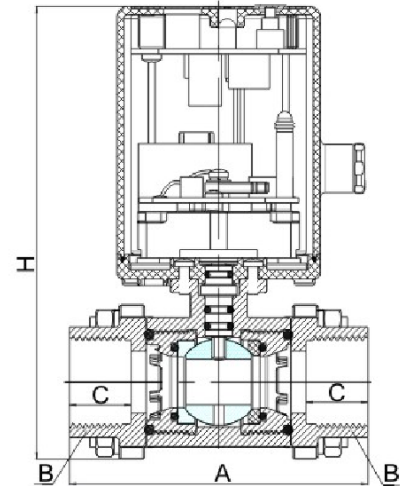
Electronic, glue-type connection with 5 wires, position feedback

				842
Part number	Description	Size	Voltage	
CBV-15-5G(*)	Ceramic Electronic Ball Valve with 5 wires, position feedback	DN15	24V	
CBV-20-5G	Ceramic Electronic Ball Valve with 5 wires, position feedback	DN20	24V	
CBV-25-5G(*)	Ceramic Electronic Ball Valve with 5 wires, position feedback	DN25	24V	
CBV-32-5G(*)	Ceramic Electronic Ball Valve with 5 wires, position feedback	DN32	24V	
CBV-40-5G(*)	Ceramic Electronic Ball Valve with 5 wires, position feedback	DN40	24V	
CBV-50-5G	Ceramic Electronic Ball Valve with 5 wires, position feedback	DN50	24V	
CBV-65-5G	Ceramic Electronic Ball Valve with 5 wires, position feedback	DN65	24V	
CBV-80-5G	Ceramic Electronic Ball Valve with 5 wires, position feedback	DN80	24V	



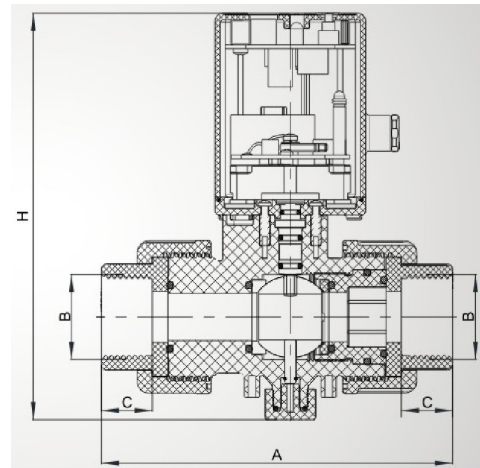
Products with (*) sign are not kept on stock, delivery time is approx. 6-8 week.

2022/Ceramic ball valve with timer



842

Part number	Product	DN	A	B	C	H	Open-close time (s)	Voltage	Body
CBV-25-TSS	Time controlled electronic ball valve	DN25	95	1"	20	147	3	24V	304SS



842

Part number	Product	DN	A	B	C	H	Open-close time (s)	Voltage	Body
CBV-15-T	Time controlled electronic ball valve	DN15	111	1/2"	14	144	3	24V	PPO
CBV-20-T	Time controlled electronic ball valve	DN20	103.7	3/4"	15.5	144.5	3	24V	PPO
CBV-25-T	Time controlled electronic ball valve	DN25	138	1"	20	159.5	3	24V	PPO

Working principle of Electronic Ball Valves

Can be controlled individually by setting opening and closing time.

1. Can set opening and closing time.
2. Two types of opening and closing time range:
000:01 ~ 999:59 (hour:minute)
000:15 ~ 999:59 (minute:second)
3. The indicators show opening or closing status.
4. Data are automatically saved after power off.

2022/Solenoid Valves

MV Solenoid Valves

Features:

- Pilot operated diaphragm construction with less power consumption for long-time working.
- Applied to pressure system opened from 0.3bars.
- Lifespan can be at 1 million cycles.

Operating medium: Air, Water, Oil...etc.

Fluid temperature:

- NBR: -10°C ~ 80°C

Working pressure: 0,3 bar ~ 16 bar

Voltage:

- DC—24V
- AC—24V
- 220V / 50 Hz

Range: ± 10%

Material: Body—brass

Seal: NBR

Armature tube: Stainless steel 304

Moving core: Stainless steel 430F


Static core: Stainless steel 430F

Springs: Stainless steel 304



S21B coil

333

Pressure switch			
	Part no.	Tube OD	Description
	HPS-04	1/4"	Closed — Adjustable
	LPS-04	1/4"	Opened — Low
	HCPS-04	1/4"	Closed — High



ES-18C

964

Part number	Name	Basic status
ES-18O	Pressure switch 1/8" - adjustable between: 1-10bar with rubber cap	Opened - brown
ES-18C	Pressure switch 1/8" - adjustable between: 1-10bar with rubber cap	Closed - blue

2022/Solenoid Valves

967

Part number	Name	Voltage	Size	Kv value	Seal	Basic status
MV-38-240V	Solenoid valve with coil	240V	3/8"	3.83 m ³ /h	NBR	Closed
MV-12-240V	Solenoid valve with coil	240V	1/2"	3.83 m ³ /h	NBR	Closed
MV-34-240V	Solenoid valve with coil	240V	3/4"	7.93 m ³ /h	NBR	Closed
MV-10-240V	Solenoid valve with coil	240V	1"	10.23 m ³ /h	NBR	Closed
MV-54-240V	Solenoid valve with coil	240V	5/4"	20.47 m ³ /h	NBR	Closed
MV-64-240V	Solenoid valve with coil	240V	6/4"	24.73 m ³ /h	NBR	Closed
MV-20-240V	Solenoid valve with coil	240V	2"	40.94 m ³ /h	NBR	Closed

967

Part number	Name	Voltage	Size	Kv value	Seal	Basic status
MV-38-DC24V	Solenoid valve with coil	DC24V	3/8"	3.83 m ³ /h	NBR	Closed
MV-12-DC24V	Solenoid valve with coil	DC24V	1/2"	3.83 m ³ /h	NBR	Closed
MV-34-DC24V	Solenoid valve with coil	DC24V	3/4"	7.93 m ³ /h	NBR	Closed
MV-10-DC24V	Solenoid valve with coil	DC24V	1"	10.23 m ³ /h	NBR	Closed
MV-54-DC24V	Solenoid valve with coil	DC24V	5/4"	20.47 m ³ /h	NBR	Closed
MV-64-DC24V	Solenoid valve with coil	DC24V	6/4"	24.73 m ³ /h	NBR	Closed
MV-20-DC24V	Solenoid valve with coil	DC24V	2"	40.94 m ³ /h	NBR	Closed

967

Part number	Name	Voltage	Size	Kv value	Seal	Basic status
MV-38-AC24V	Solenoid valve with coil	AC24V	3/8"	3.83 m ³ /h	NBR	Closed
MV-12-AC24V	Solenoid valve with coil	AC24V	1/2"	3.83 m ³ /h	NBR	Closed
MV-34-AC24V	Solenoid valve with coil	AC24V	3/4"	7.93 m ³ /h	NBR	Closed
MV-10-AC24V	Solenoid valve with coil	AC24V	1"	10.23 m ³ /h	NBR	Closed
MV-54-AC24V	Solenoid valve with coil	AC24V	5/4"	20.47 m ³ /h	NBR	Closed
MV-64-AC24V	Solenoid valve with coil	AC24V	6/4"	24.73 m ³ /h	NBR	Closed
MV-20-AC24V	Solenoid valve with coil	AC24V	2"	40.94 m ³ /h	NBR	Closed

2022/Individual valve system

855

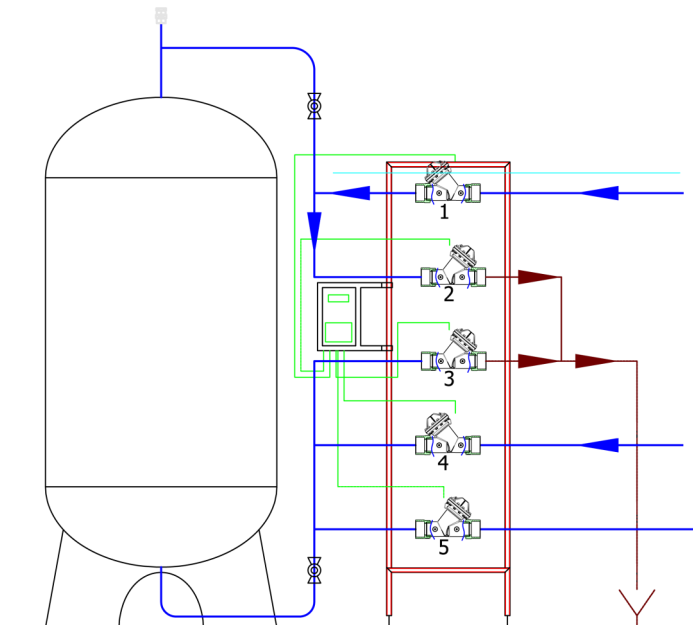
Part No.	Products	Inlet and outlet	Backwash inlet and drain	Dimension LxWxH (mm)	Service flow rate $\Delta p=0,4\text{bar}$	Backwash flow rate $\Delta p=1,0\text{bar}$
IFVS63/63	Automatic time controlled individual filter valve system with 5pcs individual diaphragm valves	DN50 Ø63	DN50 Ø63	500x1000x1900	18 m ³ /h	26 m ³ /h
IFVS63/90	Automatic time controlled individual filter valve system with 5pcs individual diaphragm valves	DN50 Ø63	DN80 Ø90	500x1000x1900	18 m ³ /h	66 m ³ /h
IFVS90/90	Automatic time controlled individual filter valve system with 5pcs individual diaphragm valves	DN80 Ø90	DN80 Ø90	500x1000x1900	45 m ³ /h	66 m ³ /h

The controller of the filter is able to do the backwash with raw or treated water. Normally the backwash of filter is done by treated water. When customer requests the backwash of filter can be done by raw water without charge.

Accessories:

- Stainless steel frame
- 5pcs individual diaphragm valves
- IVC-B controller
- PVC pipeline

Working pressure: 1-8bar
Temperature: 4-50°C



Function	Status of valves				
	1	2	3	4	5
Service	Open	Close	Close	Close	Open
Backwash	Close	Open	Close	Open	Close
Rinse	Open	Close	Open	Close	Close

IVFS63/90

2022/Individual valve system

855

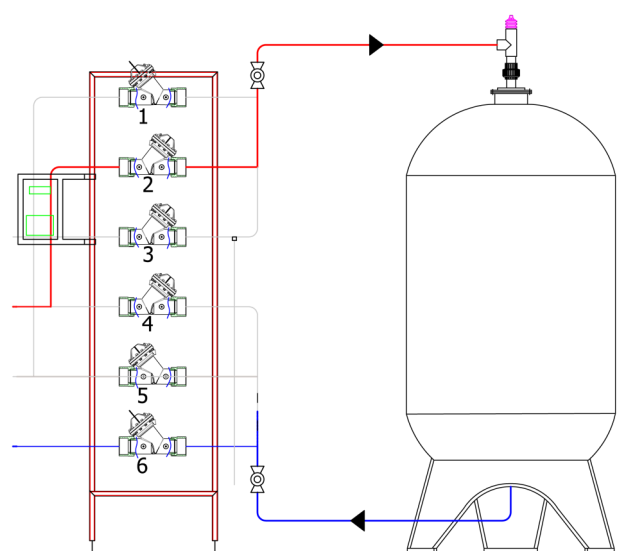
Part No.	Products	Inlet and outlet	Backwash inlet and drain	Dimension LxWxH (mm)	Service flow rate $\Delta p=0,4\text{bar}$	Backwash flow rate $\Delta p=1,0\text{bar}$
ISVS63/63	Automatic volume and time controlled individual softener valve system with 6pcs individual diaphragm valves	DN50 Ø63	DN50 Ø63	500x1000x2300	18 m ³ /h	26 m ³ /h
ISVS90/90	Automatic volume and time controlled individual softener valve system with 6pcs individual diaphragm valves	DN80 Ø90	DN80 Ø90	500x1000x2300	45 m ³ /h	66 m ³ /h

The controller of the filter is able to do the backwash with raw or treated water. Normally the backwash of filter is done by treated water. When customer requests the backwash of filter can be done by raw water without charge.

Accessories:

- Stainless steel frame
- 6pcs individual diaphragm valves
- 1pc water flow sensor
- PVC pipeline
- IVC-B controller

Working pressure: 1-8bar
Temperature: 4-50°C



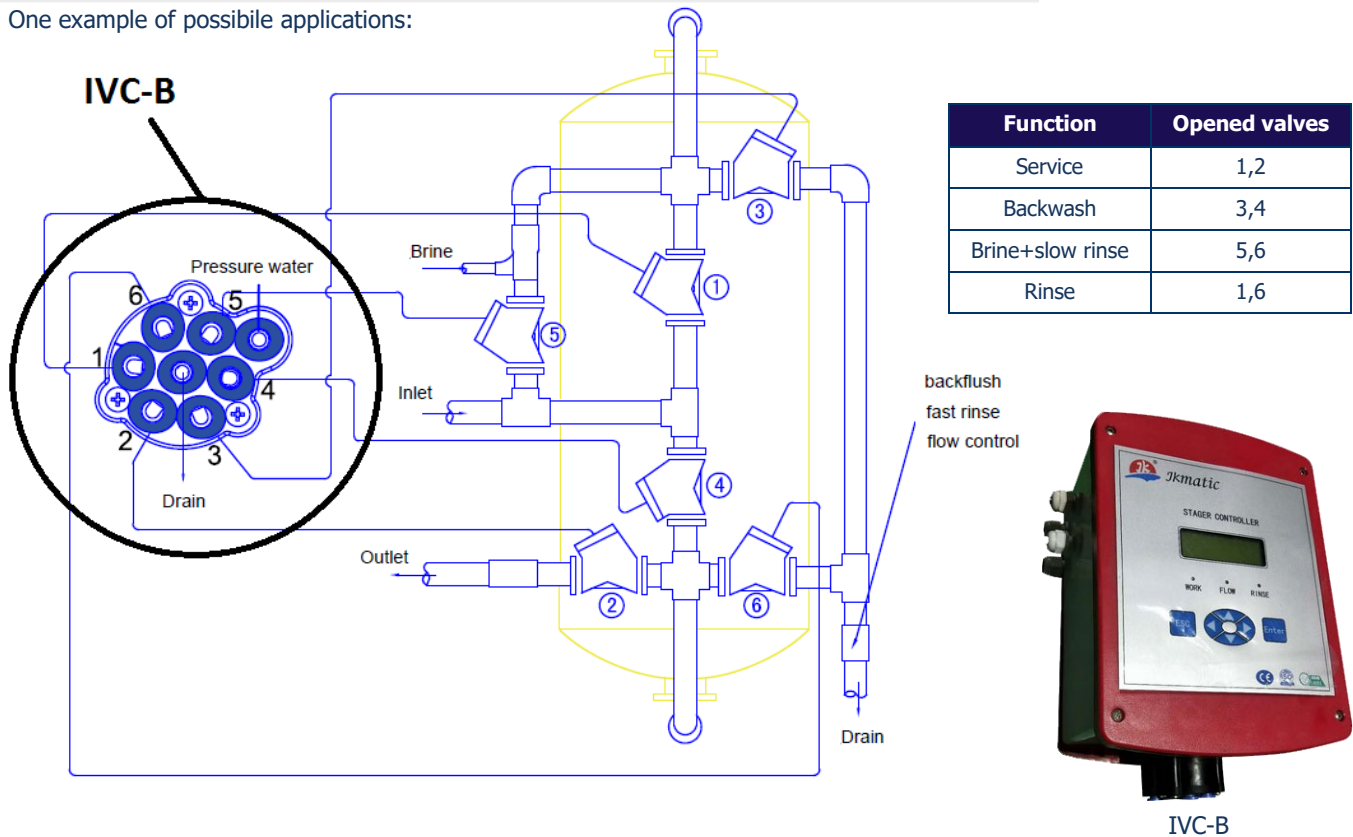
Function	Status of valves					
	1	2	3	4	5	6
Service	Close	Open	Close	Close	Close	Open
Backwash	Open	Close	Close	Open	Close	Close
Brine+slow rinse	Close	Close	Open	Close	Open	Close
Rinse	Close	Open	Close	Close	Open	Close

2022/Individual valve controller

855

Part No.	Type	Products
IVC-A	JKA 3.0	Individual filter valve controller to regulate 5 pcs valves. The controller is able to do the backwash with raw or treated water.
IVC-B	JKA 2.0	Individual softener valve controller to regulate 6 pcs valves.

One example of possible applications:



Individual Valve Controller function introduction

IVC multi valve controller is special designed for the filtration, water conditioning, softening and desalination system which consists of multi valves.

The operating medium of IVC valve is either pressurized air or water.

- Power: 150~250V/AC, 50/60Hz, 4W;
- English version, simple setting-up, no complicated programming languages ability needed to operate;
- Password Protection design prevents parameter setting from arbitrary and unexpected alteration;
- Flexible regeneration initiation modes (Volume, Remote, Interval, Week Timing, Remote control regeneration).

The selection of regeneration modes depends on specific technical and systemic conditions. Under special circumstances (e.g., on-site debugging), also can be forced manually start the regeneration, and regeneration can be forced to interrupt at any time or to skip any step, and so on.

- LCD display with backlight for over ten years use and state display function on panel;
- Regeneration and relevant outputs signals are all Relay Dry Contractor; AC 220/5A;
- Various parameters can be set: e.g. date and time, regeneration mode, regeneration process, business lock and connect internet, and so on
- IVC controller equips two logic level control with Relay Dry Contractor output;
- Commercial lock. Please contact our technical personnel for detailed usage.
- Many units parallel function. At the same time it can be guaranteed that there only one unit in regeneration among many units, which can ensure the continuity of the system of water well. Parallel function in a D mode to use for the many units run and one standby. E model is regenerative independently, regeneration in order, water immediately go to the water maker process after regeneration.

2022/Diaphragm valves

855

Part No.	Products	In / Out	Con. type	Body material	Dimension LxWxH (mm)	Net weight kg	Service flow rate $\Delta p=0,2\text{bar}$	Backwash flow rate $\Delta p=0,5\text{bar}$
VS63-O	Individual diaphragm valve	DN50 Ø63	ABS bonded joint	Noryl	260 x 110 x 170	1.1	18 m ³ /h	26 m ³ /h
VS90-O	Individual diaphragm valve	DN80 Ø90	Flange	Noryl	350 x 190 x 300	3.56	45 m ³ /h	66 m ³ /h

Our VS diaphragm valves brings to you a high quality, economical choice for your water treatment needs. Its precise and flexible control makes it suitable for use in a wide range of treatment applications.

Features:

- Dual control operated by either air or water pressure.
- Y shape for increased flow rate and efficiency.
- High heat and corrosion resistance.
- All internal parts are made from high quality composite materials.
- Able to operate in environments which would quickly destroy metal valves.



VS63-O



VS90-O

Notations

O—normally opened

All valves are spring assisted!

Working pressure: 1-8bar
Temperature: 4-50°C

855

Part No.	Products	In / Out connection
WFS-50	Water flow sensor with DN50 pipeline installation kit.	DN50 Ø63
WFS-80	Water flow sensor with DN80 pipeline installation kit.	DN80 Ø90

Our water flow sensors are basically recommended for our IVC controllers (on page 153.) however if you use a different controller the accuracy is not guaranteed!

Water flow sensor performance and parameters:

Liquid velocity measurement range:	1—5m/s
Measuring liquid temperature range:	1—60°C
Measuring pipe size range:	DN50—DN100
Linear error:	±4%
Accumulated error:	±4%
Own wire length:	5 metres
Signal transmission cable length:	within 300 metres
Probe body material:	nylon
Impeller material:	PVDF
Bearing material:	316LL
Response frequency:	≤120Hz
Probe power supply voltage:	9-12VDC
Probe signal output form:	pulsed square wave
Probe signal power supply current:	20mA@9-12VDC
Probe signal output current:	≤20mA
Probe working pressure and temperature range:	1°C—60°C; 6 Bar



WFS-80

2022/Membranes

921

Part no.	Products	Size	Average rejection	Power/Pressure	Pcs/box
ULP1812-50	Vontron 50GPD dry osmosis membrane	1,8"x12"	97%	50GPD / 60PSI (189L/day / 4,1bar)	25
ULP1812-75	Vontron 75GPD dry osmosis membrane	1,8"x12"	97%	75GPD / 60PSI (283L/day / 4,1bar)	25
ULP2012-100	Vontron 100GPD dry osmosis membrane	2"x12"	95%	100GPD / 60PSI (377L/day / 4,1bar)	25
ULP2012-150	Vontron 150GPD dry osmosis membrane	2"x12"	95%	150GPD / 60PSI (377L/day / 4,1bar)	25
ULP3012-400	Vontron 400GPD dry osmosis membrane	3"x12"	97%	400GPD / 100PSI (910L/day / 6,9bar)	30
VNF2-1812	Vontron 50GPD dry nano membrane	1,8"x12"	50-70% NaCl 80% - CaCl ₂	50GPD / 30PSI (190L/day / 2 bar)	25
VNF2-2012	Vontron 85GPD dry nano membrane	2"x12"	50-70% NaCl 80% - CaCl ₂	85GPD / 30PSI (320L/day / 2 bar)	25

Part no.	Products	Size	Minimum Rejection	Average rejection	Power/Pressure	Membrane active area	Pcs/box	Gr. #
ULP21-2521	RO membrane ULP	2.5"x21"	98,5%	99%	300GPD / 150PSI (1134L/day / 10,3bar)	1,1 m ²	10	922
ULP21-2540	RO membrane ULP	2.5"x40"	98,5%	99%	750GPD / 150PSI (2840L/day / 10,3bar)	2,6 m ²	10	922
ULP21-4021	RO membrane ULP	4"x21"	98,5%	99%	950GPD / 150PSI (3600L/day / 10,3bar)	3,3 m ²	10	922
ULP21-4040	RO membrane ULP	4"x40"	98,5%	99%	2500GPD / 150PSI (9500L/day / 10,3bar)	7,9 m ²	10	922
ULP22-8040	RO membrane ULP	8"x40"	98,5%	99%	12100GPD / 150PSI (45700L/day / 10,3bar)	37 m ²	4	923
ULP32-8040	RO membrane ULP	8"x40"	99,0%	99,5%	10500GPD / 150PSI (39700L/day / 10,3bar)	37 m ²	4	923
LP21-4040	RO membrane LP	4"x40"	99,3%	99,5%	2400GPD / 225PSI (9500L/day / 15,5bar)	7,9 m ²	10	922
LP22-8040	RO membrane LP	8"x40"	99,3%	99,5%	10500GPD / 225PSI (39700L/day / 15,5bar)	37 m ²	4	923
SW21-4040	RO membrane for seawater	4"x40"	99,5%	99,5%	1200GPD / max.1000PSI (4500L/day / max.69bar)	7,4 m ²	10	922
SW22-8040	RO membrane for seawater	8"x40"	99,5%	99,7%	6000GPD / max. 1000PSI (22700L/day / max. 69bar)	37 m ²	4	923
FR11-4040	Vontron fouling res. Membrane	4"x40"	99,3%	99,5%	2200GPD / 225 PSI (8300L/day / 15,5 bar)	8,4 m ²	10	923
FR11-8040	Vontron fouling res. membrane	8"x40"	99,3%	99,5%	9600GPD / 225 PSI (36300L/day / 15,5 bar)	33,9 m ²	4	923
VNF1-4040	Vontron dry nano membrane	4"x40"	40-60% NaCl 96% - CaCl ₂	-	2000-2400GPD / 70PSI (7500-9100L/day / 5bar)	7,4 m ²	10	922
VNF2-4040	Vontron dry nano membrane	4"x40"	80-95% NaCl 96% - CaCl ₂	-	1400-1800GPD / 70PSI (5300-6800L/day / 5bar)	7,4 m ²	10	922
VNF1-8040	Vontron dry nano membrane	8"x40"	40-60% NaCl 96% - CaCl ₂	-	10000-12000GPD / 70PSI (37500-45500L/day / 5bar)	37,2 m ²	4	923
VNF2-8040	Vontron dry nano membrane	8"x40"	80-95% NaCl 96% - CaCl ₂	-	7500-9000GPD / 70PSI (28400-33900L/day / 5bar)	37,2 m ²	4	923

Notations:

ULP	—	Ultra Low Pressure
LP	—	Low Pressure
SW	—	Sea Water
VNF	—	Nano Filtration
FR	—	Fouling resistant

2022/Membrane houses

932

Part no.	Products	Size	Material	Max. pressure
YT-25-W	RO membrane house with plug	(1,8"-2") x 12"	EPDM	6 bar
YT-3-38W	RO membrane house with plug	3" x 12"	EPDM	6 bar

931

Part no.	Products	Size	Material	Max. pressure
BNSS2521/ABS	RO membrane house with plug	2,5" x 21"	SS / ABS	12 bar
BNSS4021/ABS	RO membrane house with plug	4" x 21"	SS / ABS	12 bar
BNSS2540/ABS	RO membrane house with plug	2,5" x 40"	SS / ABS	12 bar
BNSS4040/ABS	RO membrane house with plug	4" x 40"	SS / ABS	12 bar



SS / ABS membrane housings



YT-25W



YT-3-38W



EA031



EA053

933

Part number	Name	Size
EA031(*)	RO membrane connection coupling	1.5"
EA053(*)	Threaded part for EA031 coupling	1.5"

Products with (*) sign are not kept on stock, delivery time is approx. 2 weeks.

2022/4" Fiberglass reinforced membrane pressure vessels

4" Fiberglass reinforced plastic pressure vessels main parameters:

- Max operation pressure: 300 PSI (21 bar) , 450 PSI (31 bar)
- Operation temperature: -7°C—49°C
- Penetration testing: 1.5 times of operating pressure test for 30 min
- Fatigue testing 10000 times
- Burst pressure: 4 times
- Feed/concentrate connection 3/4" BSPT
- Permeate connection: 1/2" BSPT
- Straps and saddle included


 MH41-300E

 MH42-300E

 MH43-300E

 MH44-300E

933

Part no.	Products	For membrane	Conn. type	Max. pres. PSI / bar	L (mm)	S (mm)	P (mm)	We. (kg)
MH41-300E	Fiberglass pressure vessel	1pcs 4"x40"	End port	300 / 21	1520	700	-	7
MH42-300E	Fiberglass pressure vessel	2pcs 4"x40"	End port	300 / 21	2550	1550	-	10
MH43-300E	Fiberglass pressure vessel	3pcs 4"x40"	End port	300 / 21	3560	2250	-	12.5
MH44-300E(*)	Fiberglass pressure vessel	4pcs 4"x40"	End port	300 / 21	4590	1280x2	-	15
MH41-300S(*)	Fiberglass pressure vessel	1pcs 4"x40"	Side port	300 / 21	1520	700	-	7
MH42-300S(*)	Fiberglass pressure vessel	2pcs 4"x40"	Side port	300 / 21	2550	1550	-	10
MH43-300S(*)	Fiberglass pressure vessel	3pcs 4"x40"	Side port	300 / 21	3560	2250	-	12.5
MH44-300S(*)	Fiberglass pressure vessel	4pcs 4"x40"	Side port	300 / 21	4590	1280x2	-	15
MH41-450E(*)	Fiberglass pressure vessel	1pcs 4"x40"	End port	450 / 31	1520	700	-	8
MH42-450E(*)	Fiberglass pressure vessel	2pcs 4"x40"	End port	450 / 31	2550	1550	-	11
MH43-450E(*)	Fiberglass pressure vessel	3pcs 4"x40"	End port	450 / 31	3560	2250	-	14
MH44-450E(*)	Fiberglass pressure vessel	4pcs 4"x40"	End port	450 / 31	4590	1280x2	-	17
MH41-450S(*)	Fiberglass pressure vessel	1pcs 4"x40"	Side port	450 / 31	1520	700	-	8
MH42-450S(*)	Fiberglass pressure vessel	2pcs 4"x40"	Side port	450 / 31	2550	1550	-	11
MH43-450S(*)	Fiberglass pressure vessel	3pcs 4"x40"	Side port	450 / 31	3560	2250	-	14
MH44-450S(*)	Fiberglass pressure vessel	4pcs 4"x40"	Side port	450 / 31	4590	1280x2	-	17

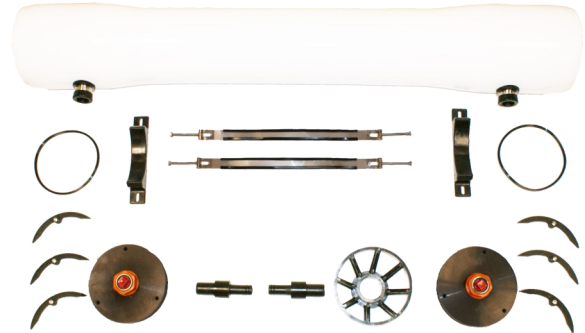
Products with (*) sign are not kept on stock, delivery time is approx. 8-10 week.

In case of individual agreement further type will be kept on stock too. Please, contact with our colleagues.

2022/8" Fiberglass reinforced membrane pressure vessels

8" Fiberglass reinforced plastic pressure vessels main parameters:

- Max operation pressure: 300 PSI (21 bar)
- Operation temperature: -7°C—49°
- Penetration testing: 1.5 times of operating pressure test for 30 min
- Fatigue testing 10000 times
- Burst pressure: 4 times
- Feed/concentrate connection 1.5"
- Permeate connection: 1" BSPT
- Straps and saddle included



MH81-300S



MH82-300S



MH83-300S

933

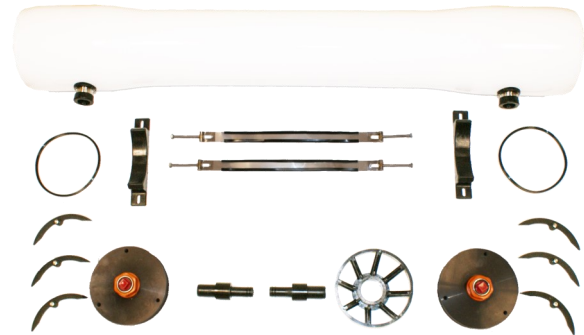
Part no.	Products	For membrane	Conn. type	Max. pres. PSI / bar	L (mm)	S (mm)	P (mm)	We. (kg)
MH81-300E(*)	Fiberglass pressure vessel	1pcs 8"x40"	End port	300 / 21	1520	700	-	34
MH82-300E(*)	Fiberglass pressure vessel	2pcs 8"x40"	End port	300 / 21	2550	1550	-	41
MH83-300E(*)	Fiberglass pressure vessel	3pcs 8"x40"	End port	300 / 21	3560	2250	-	48
MH84-300E(*)	Fiberglass pressure vessel	4pcs 8"x40"	End port	300 / 21	4590	1280x2	-	55
MH85-300E(*)	Fiberglass pressure vessel	5pcs 8"x40"	End port	300 / 21	5600	1800x2	-	60
MH86-300E(*)	Fiberglass pressure vessel	6pcs 8"x40"	End port	300 / 21	6610	2350x2	-	65
MH87-300E(*)	Fiberglass pressure vessel	7pcs 8"x40"	End port	300 / 21	7622	2150x2	-	72
MH81-300S	Fiberglass pressure vessel	1pcs 8"x40"	Side port	300 / 21	1520	700	1180	34
MH82-300S	Fiberglass pressure vessel	2pcs 8"x40"	Side port	300 / 21	2550	1550	2200	41
MH83-300S	Fiberglass pressure vessel	3pcs 8"x40"	Side port	300 / 21	3560	2250	3210	48
MH84-300S(*)	Fiberglass pressure vessel	4pcs 8"x40"	Side port	300 / 21	4590	1280x2	4250	55
MH85-300S(*)	Fiberglass pressure vessel	5pcs 8"x40"	Side port	300 / 21	5600	1800x2	5255	60
MH86-300S	Fiberglass pressure vessel	6pcs 8"x40"	Side port	300 / 21	6610	2350x2	6265	65
MH87-300S(*)	Fiberglass pressure vessel	7pcs 8"x40"	Side port	300 / 21	7622	2150x2	7265	72

Products with (*) sign are not kept on stock, delivery time is approx. 8-10 week.
In case of individual agreement further type will be kept on stock too. Please, contact with our colleagues.

2022/8" Fiberglass reinforced membrane pressure vessels

8" Fiberglass reinforced plastic pressure vessels main parameters:

- Max operation pressure: 450 PSI (31 bar)
- Operation temperature: -7°C—49°
- Penetration testing: 1.5 times of operating pressure test for 30 min
- Fatigue testing 10000 times
- Burst pressure: 4 times
- Feed/concentrate connection 1.5"
- Permeate connection: 1" BSPT
- Straps and saddle included



MH81-450S



MH82-450S



MH83-450S

933

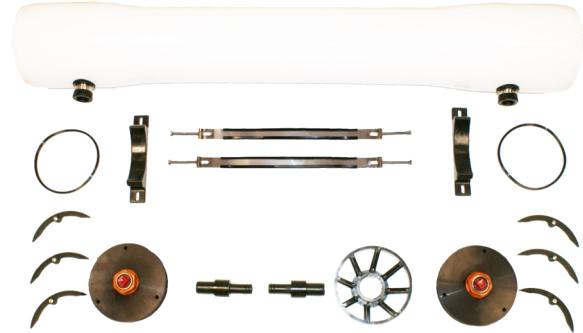
Part no.	Products	For membrane	Conn. type	Max. pres. PSI / bar	L (mm)	S (mm)	P (mm)	We. (kg)
MH81-450E(*)	Fiberglass pressure vessel	1pcs 8"x40"	End port	450 / 31	1520	700	-	40
MH82-450E(*)	Fiberglass pressure vessel	2pcs 8"x40"	End port	450 / 31	2550	1550	-	45
MH83-450E(*)	Fiberglass pressure vessel	3pcs 8"x40"	End port	450 / 31	3560	2250	-	54
MH84-450E(*)	Fiberglass pressure vessel	4pcs 8"x40"	End port	450 / 31	4590	1280x2	-	60
MH85-450E(*)	Fiberglass pressure vessel	5pcs 8"x40"	End port	450 / 31	5600	1800x2	-	68
MH86-450E(*)	Fiberglass pressure vessel	6pcs 8"x40"	End port	450 / 31	6610	2350x2	-	73
MH87-450E(*)	Fiberglass pressure vessel	7pcs 8"x40"	End port	450 / 31	7622	2150x2	-	79
MH81-450S(*)	Fiberglass pressure vessel	1pcs 8"x40"	Side port	450 / 31	1520	700	-	40
MH82-450S(*)	Fiberglass pressure vessel	2pcs 8"x40"	Side port	450 / 31	2550	1550	-	45
MH83-450S(*)	Fiberglass pressure vessel	3pcs 8"x40"	Side port	450 / 31	3560	2250	-	54
MH84-450S(*)	Fiberglass pressure vessel	4pcs 8"x40"	Side port	450 / 31	4590	1280x2	-	60
MH85-450S(*)	Fiberglass pressure vessel	5pcs 8"x40"	Side port	450 / 31	5600	1800x2	-	68
MH86-450S(*)	Fiberglass pressure vessel	6pcs 8"x40"	Side port	450 / 31	6610	2350x2	-	73
MH87-450S(*)	Fiberglass pressure vessel	7pcs 8"x40"	Side port	450 / 31	7622	2150x2	-	79

Products with (*) sign are not kept on stock, delivery time is approx. 8-10 week.
In case of individual agreement further type will be kept on stock too. Please, contact with our colleagues.

2022/8" Fiberglass reinforced membrane pressure vessels

8" Fiberglass reinforced plastic pressure vessels main parameters:

- Max operation pressure: 600 PSI (41 bar)
- Operation temperature: -7°C—49°
- Penetration testing: 1.5 times of operating pressure test for 30 min
- Fatigue testing 10000 times
- Burst pressure: 4 times
- Feed/concentrate connection 1.5"
- Permeate connection: 1" BSPT
- Straps and saddle included



MH81-600S



MH82-600S



MH83-600S

933

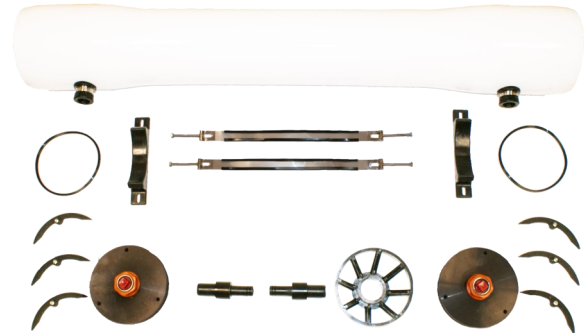
Part no.	Products	For membrane	Connection type	Max. pres. PSI / bar	L (mm)	S (mm)	P (mm)	We. (kg)
MH81-600E(*)	Fiberglass pressure vessel	1pcs 8"x40"	End port	600 / 41	1520	700	-	46
MH82-600E(*)	Fiberglass pressure vessel	2pcs 8"x40"	End port	600 / 41	2550	1550	-	55
MH83-600E(*)	Fiberglass pressure vessel	3pcs 8"x40"	End port	600 / 41	3560	2250	-	65
MH84-600E(*)	Fiberglass pressure vessel	4pcs 8"x40"	End port	600 / 41	4590	1280x2	-	73
MH85-600E(*)	Fiberglass pressure vessel	5pcs 8"x40"	End port	600 / 41	5600	1800x2	-	83
MH86-600E(*)	Fiberglass pressure vessel	6pcs 8"x40"	End port	600 / 41	6610	2350x2	-	92
MH81-600S(*)	Fiberglass pressure vessel	1pcs 8"x40"	Side port	600 / 41	1520	700	-	46
MH82-600S(*)	Fiberglass pressure vessel	2pcs 8"x40"	Side port	600 / 41	2550	1550	-	55
MH83-600S(*)	Fiberglass pressure vessel	3pcs 8"x40"	Side port	600 / 41	3560	2250	-	65
MH84-600S(*)	Fiberglass pressure vessel	4pcs 8"x40"	Side port	600 / 41	4590	1280x2	-	73
MH85-600S(*)	Fiberglass pressure vessel	5pcs 8"x40"	Side port	600 / 41	5600	1800x2	-	83
MH86-600S(*)	Fiberglass pressure vessel	6pcs 8"x40"	Side port	600 / 41	6610	2350x2	-	92

Products with (*) sign are not kept on stock, delivery time is approx. 8-10 week.
In case of individual agreement further type will be kept on stock too. Please, contact with our colleagues.

2022/8" Fiberglass reinforced membrane pressure vessels

8" Fiberglass reinforced plastic pressure vessels main parameters:

- Max operation pressure: 1000 PSI (69 bar)
- Operation temperature: -7°C—49°
- Penetration testing: 1.5 times of operating pressure test for 30 min
- Fatigue testing 10000 times
- Burst pressure: 4 times
- Feed/concentrate connection 1.5"
- Permeate connection: 1" BSPT
- Straps and saddle included



MH81-1000S



MH82-1000S



MH83-1000S

933

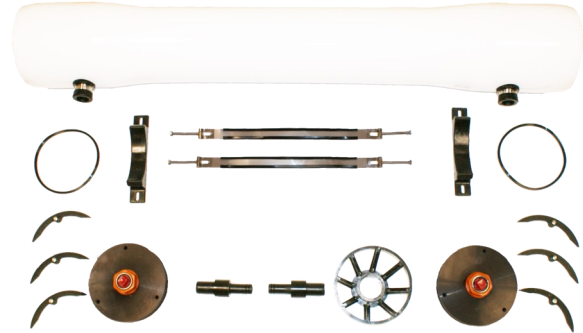
Part no.	Products	For membrane	Conn. type	Max. pres. PSI / bar	L (mm)	S (mm)	P (mm)	We. (kg)
MH81-1000E(*)	Fiberglass pressure vessel	1pcs 8"x40"	End port	1000 / 69	1520	700	-	75
MH82-1000E(*)	Fiberglass pressure vessel	2pcs 8"x40"	End port	1000 / 69	2550	1550	-	87
MH83-1000E(*)	Fiberglass pressure vessel	3pcs 8"x40"	End port	1000 / 69	3560	2250	-	100
MH84-1000E(*)	Fiberglass pressure vessel	4pcs 8"x40"	End port	1000 / 69	4590	1280x2	-	132
MH85-1000E(*)	Fiberglass pressure vessel	5pcs 8"x40"	End port	1000 / 69	5600	1800x2	-	151
MH86-1000E(*)	Fiberglass pressure vessel	6pcs 8"x40"	End port	1000 / 69	6610	2350x2	-	165
MH81-1000S(*)	Fiberglass pressure vessel	1pcs 8"x40"	Side port	1000 / 69	1520	700	-	75
MH82-1000S(*)	Fiberglass pressure vessel	2pcs 8"x40"	Side port	1000 / 69	2550	1550	-	87
MH83-1000S(*)	Fiberglass pressure vessel	3pcs 8"x40"	Side port	1000 / 69	3560	2250	-	100
MH84-1000S(*)	Fiberglass pressure vessel	4pcs 8"x40"	Side port	1000 / 69	4590	1280x2	-	132
MH85-1000S(*)	Fiberglass pressure vessel	5pcs 8"x40"	Side port	1000 / 69	5600	1800x2	-	151
MH86-1000S(*)	Fiberglass pressure vessel	6pcs 8"x40"	Side port	1000 / 69	6610	2350x2	-	165

Products with (*) sign are not kept on stock, delivery time is approx. 8-10 week.
In case of individual agreement further type will be kept on stock too. Please, contact with our colleagues.

2022/8" Fiberglass reinforced membrane pressure vessels

8" Fiberglass reinforced plastic pressure vessels main parameters:

- Max operation pressure: 1200 PSI (83 bar)
- Operation temperature: -7°C—49°
- Penetration testing: 1.5 times of operating pressure test for 30 min
- Fatigue testing 10000 times
- Burst pressure: 4 times
- Feed/concentrate connection 1.5"
- Permeate connection: 1" BSPT
- Straps and saddle included



MH81-1200S



MH82-1200S



MH83-1200S

933

Part no.	Products	For membrane	Conn. type	Max. pres. PSI / bar	L (mm)	S (mm)	P (mm)	We. (kg)
MH81-1200E(*)	Fiberglass pressure vessel	1pcs 8"x40"	End port	1200 / 83	1520	700	-	113.3
MH82-1200E(*)	Fiberglass pressure vessel	2pcs 8"x40"	End port	1200 / 83	2550	1550	-	125.1
MH83-1200E(*)	Fiberglass pressure vessel	3pcs 8"x40"	End port	1200 / 83	3560	2250	-	139.7
MH84-1200E(*)	Fiberglass pressure vessel	4pcs 8"x40"	End port	1200 / 83	4590	1280x2	-	156
MH85-1200E(*)	Fiberglass pressure vessel	5pcs 8"x40"	End port	1200 / 83	5600	1800x2	-	178
MH86-1200E(*)	Fiberglass pressure vessel	6pcs 8"x40"	End port	1200 / 83	6610	2350x2	-	191
MH81-1200S(*)	Fiberglass pressure vessel	1pcs 8"x40"	Side port	1200 / 83	1520	700	-	113.3
MH82-1200S(*)	Fiberglass pressure vessel	2pcs 8"x40"	Side port	1200 / 83	2550	1550	-	125.1
MH83-1200S(*)	Fiberglass pressure vessel	3pcs 8"x40"	Side port	1200 / 83	3560	2250	-	139.7
MH84-1200S(*)	Fiberglass pressure vessel	4pcs 8"x40"	Side port	1200 / 83	4590	1280x2	-	156
MH85-1200S(*)	Fiberglass pressure vessel	5pcs 8"x40"	Side port	1200 / 83	5600	1800x2	-	178
MH86-1200S(*)	Fiberglass pressure vessel	6pcs 8"x40"	Side port	1200 / 83	6610	2350x2	-	191

Products with (*) sign are not kept on stock, delivery time is approx. 8-10 week.
In case of individual agreement further type will be kept on stock too. Please, contact with our colleagues.



ORP/PH TDS-2

411

Part number	Products	Measuring parameters	Numbers of measures
ORP/PH	Digital combined pH and ORP tester, temperature compensated	pH (pH) / ORP (mV)	-
PH-CAL/4	20ml Calibration solution of pH 4.01	pH (pH)	-
PH-CAL/7	20ml Calibration solution of pH 7.01	pH (pH)	-
PH-CAL/10	20ml Calibration solution of pH 10.01	pH (pH)	-
PH-STO	230 ml pH probe storage liquid		-
TDS/EC	Conductivity and salt-index tester, temperature compensated	ppm / μ S	-
TDS-2	Digital TDS measurement	Total dissolve solids (ppm)	-

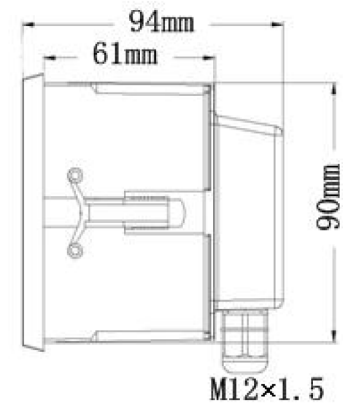
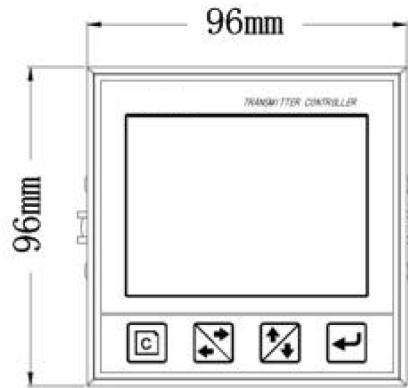
411



OKT-1

Part number	Products	Measuring parameters	Numbers of measures
OKT-1	Hardness tester, 1 bottle	German hardness ($^{\circ}$ dH)	50 pcs
OKT-2	Hardness tester, 2 bottles	German hardness ($^{\circ}$ dH)	100 pcs

2022/pH measuring device

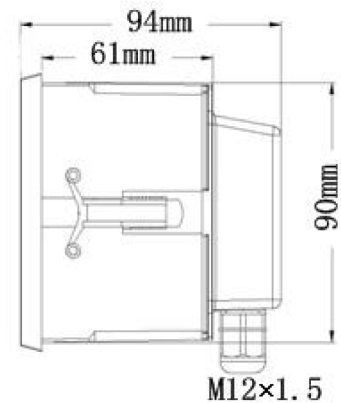
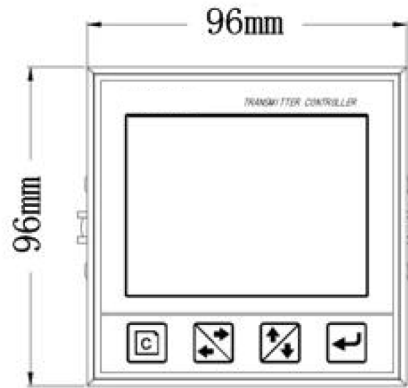


Characteristics:

- 3.5" 320x240 TFT color screen, Multi-parameter display
- It has pointers, number and colors with space-time concept and can display forms
- Be compatible for six kinds of buffer solution which suitable for international standard
- Touch key, Chinese/English to select, guided operation
- RS485, Modbus RTU protocol
- Double channels/Isolated 84-20)mA, instrument/transmitter mode for selection
- Three channels photoelectric switch control, arbitrary combination for PH/ORP/temperature/timing
- Switch control, frequency pulse, frequency pulse for option, fit for more
- EMC design with better ability on anti-interference
- Calendar function which can set timing and reserved timing
- With the CE Certification

pH-MD	pH	Temperature
Measurement Parameter	Range: 0.00~14.00	Range: (0.0~100.0)°C
	Resolution: 0.01	Resolution: 0.1 °C
	Accuracy: ± 0.1	Accuracy: ± 0.5°C
Medium	(0-80)°C	
Temperature components	Pt1000 temperature components	
Analog Output	Double channels isolated transportable (4~20)mA, instruments/transmitter mode	
Control Output	Triple channels semiconductor photoelectric switch, load current: AC/DC 30V, 50mA(max)	
Communication port	RS485, Modbus RTU protocol	
Powder supply	DC 24V	
Consumption	<5.5W	
Working Environment	Temperature (0~80)°C; Relative Humidity ≤ 85% RH (none condensation)	
Storage Environment	Temperature (-20~60)°C; Relative Humidity ≤ 85% RH (none condensation)	
Protection Level	IP65 (with rear cover)	
Dimension	96mm x 96mm x 94mm (HxWxD)	
Hole Size	91mm x 91 mm (HxW)	
Installation	Panel Mounted, Fast installation	
Gr. #	963	

2022/ORP Measuring device



Characteristics:

- 3.5" 320x240 TFT color screen, Multi-parameter display
- It has pointers, number and colors with space-time concept and can display forms
- Be compatible for six kinds of buffer solution which suitable for international standard
- Touch key, Chinese/English to select, guided operation
- RS485, Modbus RTU protocol
- Double channels/Isolated 84-20)mA, instrument/transmitter mode for selection
- Three channels photoelectric switch control, arbitrary combination for PH/ORP/temperature/timing
- Switch control, frequency pulse, frequency pulse for option, fit for more
- EMC design with better ability on anti-interference
- Calendar function which can set timing and reserved timing
- With the CE Certification

ORP-MD	ORP	Temperature
Measurement Parameter	Range: (-1999~+1999)mV	Range: (0.0~100.0)°C
	Resolution: 1mV	Resolution: 0.1 °C
	Accuracy: ± 5mV (Indicator)	Accuracy: ± 0.5°C
Medium	(0-80)°C	
Temperature components	Pt1000 temperature components	
Analog Output	Double channels isolated transportable (4~20)mA, instruments/transmitter mode	
Control Output	Triple channels semiconductor photoelectric switch, load current: AC/DC 30V, 50mA(max)	
Communication port	RS485, Modbus RTU protocol	
Powder supply	DC 24V	
Consumption	<5.5W	
Working Environment	Temperature (0~80)°C; Relative Humidity ≤ 85% RH (none condensation)	
Storage Environment	Temperature (-20~60)°C; Relative Humidity ≤ 85% RH (none condensation)	
Protection Level	IP65 (with rear cover)	
Dimension	96mm x 96mm x 94mm (HxWxD)	
Hole Size	91mm x 91 mm (HxW)	
Installation	Panel Mounted, Fast installation	
Gr. #	963	

2022/Conductivity measuring instruments, probes



CM-230A , CCT-3320 , CCT-3320-GS



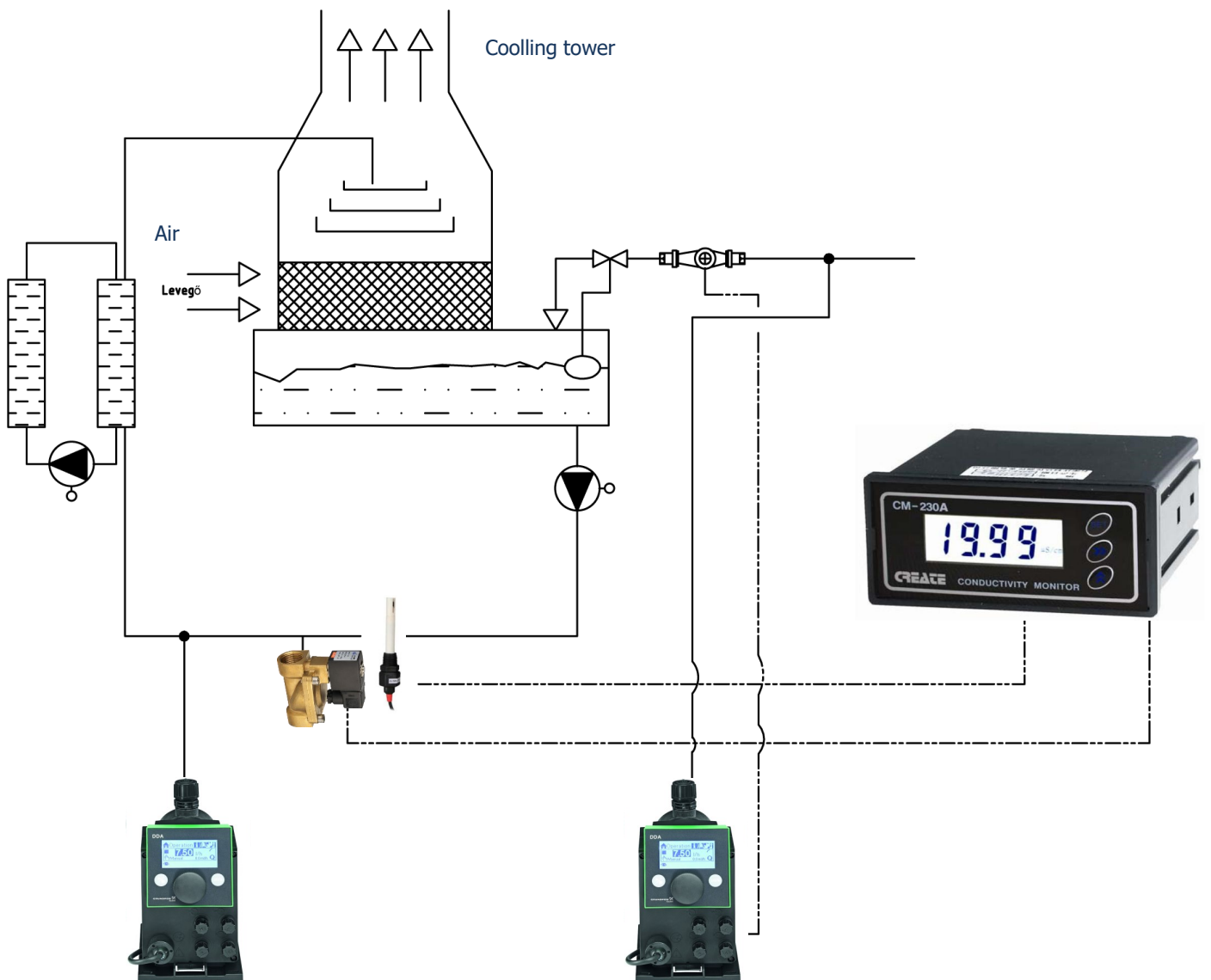
CM-230AB

963

Part number	Products	Probe conn.	Measuring parameters
CM-230A	Conductivity measuring instrument with probe and LCD digital display. Outline dimension: 48x96x100mm, Slot dimension for installation: 45x91mm	1/2"	0-1999.9 μ S/cm
CCT-3320	Conductivity measuring instrument with probe and LCD digital display. Outline dimension: 48x96x100mm, Slot dimension for installation: 45x91mm, Hi-limited alarm setting.	1/2"	0-1999.9 μ S/cm
CCT-3320-GS	Conductivity measuring instrument with graphit probe and LCD digital display. Outline dimension: 48x96x100mm, Slot dimension for installation: 45x91mm, Hi-limited alarm setting.	1/2"	0-19.99 mS/cm
CM-230AB	Conductivity measuring instrument with probe and LCD digital display. Mounted in IP67 box.	1/2"	0-1999.9 μ S/cm
CCT-3320B	Conductivity measuring instrument with probe and LCD digital display. Hi-limited alarm setting, mounted in IP67 box.	1/2"	0-1999.9 μ S/cm
CCT-3320B-V	Conductivity measuring instrument with probe and LCD digital display. Stops outlet when water is over limit with a brass solenoid valve, mounted in IP67 box.	1/2"	0-1999.9 μ S/cm
CCT-3320-GSB	Conductivity measuring instrument with graphit probe and LCD digital display. Hi-limited alarm setting, mounted in IP67 box.	1/2"	0-19.99 mS/cm
CM-PROBE-WH	Probe for Conductivity meas. instrument for CM-230A	-	-
CM-PROBE-BL	Probe for Conductivity measure instrument for CCT-3320-GS	-	-
CM-PROBE-SS	Stainless steel probe for Conductivity measure instrument for CCT-3320	-	-

Main technical features	
Medium Temp.	(0~50) °C
Resolution	Conductivity
	0.5 μ S/cm
Accuracy	Temp.
	0.1°C
Accuracy	Conductivity
	1.5% (FS)
Temperature compensation	(0~50) °C (With 25 °C as Standard)
Cable lenght	≤ 5m(MAX)
mA output	Isolated (4~20)mA
Control Output	Relay contact: ON/OFF(not for CM-230A), Load capacity: AC 230V/5A (max)
Working Environment	Temp. (0~50) °C; Relative Humidity ≤ 85%RH (none condensation)
Storage Environment	Temp. (-20~60) °C; Relative Humidity ≤ 85%RH (none condensation)
Dimension	48mm x 69mm x 80mm (H x W x D)
Hole Size	44mm x 92mm (H x W)
Installation	Panel mounted, fast installation
Probe connection:	1/2"

2022/Cooling tower controllers



Part number	Products
CCT-3320-GS	Cooling tower instrument with graphit probe and LCD digital display. Probe connection: 1/2" Outline dimension: 48x96x100mm Slot dimension for installation: 45 x 91mm Hi-limited alarm setting: 0-19.99 mS/cm
	Magnetic valve with coil (recommended 3/4")
	Water meter with contact sign
	Diaphragm dosing pump with PVC head, foot- and dosing valves, 5 m tube, control cable
	PE chemical tank (not necessary)

2022/Pressure Gauges

MM-50 type pressure gauges

Applications:

- Hydraulic and pneumatic systems
- Pumps, compressors, water systems, regulators
- Suitable for fluid medium which does not clog connection port or corrode copper alloy

Features:

- EN 837-1 design
- Case: plastic, black steel, steel plated, chromed steel, stainless steel
- Window: Acrylic or glass
- Pointer: Black aluminium or black plastic
- Bourdon tube: Copper alloy
- Socket: Brass, chromed brass

Accuracy class:

- 1.5", 2" & 2.5" \pm 2.5% (\pm 1.6% available)
- 3" \pm 1.6%
- 4" & 6" \pm 1.0%



MM-50/10A



MM-50/10H

Part number	Name	Range
MM-50/10H	Pressure Gauges, 1/4" back connection d50 size	0-10 bar
MM-50/10A	Pressure Gauges, 1/4" bottom connection d50 size	0-10 bar

962

MM-63 type pressure gauges

Applications:

- Intended for adverse service conditions where pulsating or vibration exists
- Process industry
- Suitable for gaseous or liquid media that will not obstruct the pressure system

Features:

- EN 837-1 design
- Case material: 304 stainless steel, black steel
- Window: Polycarbonate window, armored glass or safety glass
- Pointer: Black aluminium, fixed or adjustable
- Bourdon tube: Copper alloy
- Socket: Brass, chromed brass
- Glycerine-filled or dry with filling hole
- Crimped ring or bayonet bezel
- Restrictor in connection

Accuracy class:

- 1.5", 2" \pm 2.0%
- 2.5" & 3" \pm 1.6%
- 4" & 6" \pm 1.0%



MM-63/16P



MM-63/16



MM-63/16K



MM-63/25K

962

Part number	Name	Bayonet bezel	Crimped ring	Range
MM-63/6	d63 size pressure gauge with 1/4" back connection	No	No	0-6 bar
MM-63/6A	d63 size pressure gauge with 1/4" bottom connection	No	No	0-6 bar
MM-63/16	d63 size pressure gauge with 1/4" back connection	No	No	0-16 bar
MM-63/16A	d63 size pressure gauge with 1/4" bottom connection	No	No	0-16 bar
MM-63/6K	d63 size pressure gauge with 1/4" back connection	Yes	No	0-6 bar
MM-63/16K	d63 size pressure gauge with 1/4" back connection	Yes	No	0-16 bar
MM-63/25K	d63 size pressure gauge with 1/4" back connection	Yes	No	0-25 bar
MM-63/16P	d63 size pressure gauge with 1/4" back connection	Yes	Yes	0-16 bar
MM-63/6-SS	d63 size <u>stainless steel</u> pressure gauge with 1/4" back connection	No	No	0-6 bar

2022/Industrial RO system controllers



ROC-2315



ROC-8320

963

Part number	Products
ROC-2315	<p>Industrial RO system controller with on-line conductivity measuring instrument. The graphical control panel with LED indicator lamp embedded; multiple groups of parameters can be set and modified, the requirements of automatic operation are met.</p> <p>Power voltage: AC 220V±15% 50Hz Power consumption: ≤3W</p> <p>Environment conditions: Temperature: 0~50°C Humidity: ≤85%RH</p> <p>Measuring range: 0~200µS /cm Accuracy: 1.5 level Load capacity of output contact: 3A/250V AC Operation pressure of conductance cell: 0~0.5Mpa Display mode: 3 1/2-digit LED digital display Electrode selected: 1.0cm-1 Outline dimensions: 96×96×110 mm (height × width × depth) Meter board hole: 91×91 mm (height × width)</p>
ROC-8320	<p>Industrial RO system controller with on-line conductivity measuring instrument and LCD display.</p> <p>Power voltage: AC 220V±15% 50Hz Power consumption: ≤3W</p> <p>Environment conditions: Temperature: 0~50°C Humidity: ≤85%RH</p> <p>Measuring range: 0~200µS /cm Accuracy: 1.5 level Load capacity of output contact: 3A/250V AC (the magnetic valve should be driven through intermediate relay) Operation pressure of conductance cell: 0~0.5 Mpa Electrode selected: 1.0cm-1 Outline dimensions: 96×96×105 mm (height × width × depth) Meter board hole: 91×91mm (height × width)</p>

2022/Industrial RO system controllers

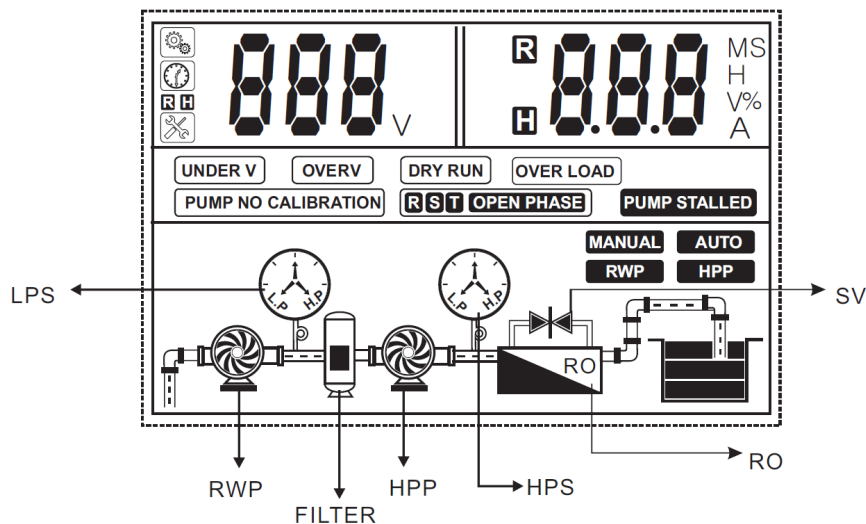


ROC-2202



ROC-3302

Specification	ROC-2202	ROC-3302
Working conditions	Working temperature: -25°C ~ +55°C Working humidity: 20% ~ 90% RH, no drips concreted IP protection level: IP54 Dimensions (LxWxH): 300 x 240 x 120 mm	
Electric data	Rated input: AC220V/AC230V—50Hz/60Hz Single phase Rated output for Raw Water Pump (RWP): 0.37—2.2 kW Single phase Rated output for High Pressure Pump (HPP): 0.37—2.2 kW Single phase	Rated input: AC380V/AC400V—50Hz/60Hz Three phase Rated output for Raw Water Pump (RWP): 0.75—4 kW Three phase 5.5—11 kW Three phase 15 kW Three phase Rated output for High Pressure Pump (HPP): 0.75—4 kW Three phase 5.5—11 kW Three phase 15 kW Three phase
Protection functions	Overload, Pump stalled, Dry running, Undervoltage, Overvoltage, Open phase, Overheating	
Terminal ports	Pressure switch (HPS / LPS), Level sensor in produced water pressure vessel, Float switch in raw water pressure vessel, Dosing pump (2 pcs), Electrical meter (1 pc)	
Outputs	Raw water pump, High pressure pump, Flushing solenoid valve, No-power for contact alarm	
Other features	Accumulative running time of pump, Last five faults of the pump can be displayed, Manual parameter adjustment, Memory function when powering off & Recovery, RS485 port, LCD display screen	



2022/Panel Mounted Rotameters

965

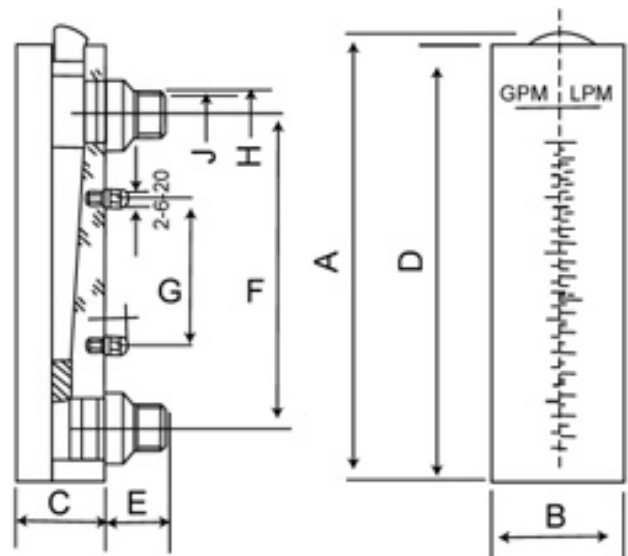
Part number	Name	Flow	A	B	C	E	F	G	H	J
RM-PM1	Rotameter, 1 GPM, panel mounted	1 GPM (226 l/h)	176	32	35	27	127	76	1/2"	1/4"
RM-PM2	Rotameter, 2 GPM, panel mounted	2 GPM (454 l/h)	176	32	35	27	127	76	1/2"	1/4"
RM-PM5	Rotameter, 5 GPM, panel mounted	5 GPM (1134 l/h)	176	32	35	27	127	76	1/2"	1/4"
RM-PM10	Rotameter, 10 GPM, panel mounted	10GPM (2260l/h)	236	45	46	34	165	102	1"	Ø23
RM-PM20	Rotameter, 20 GPM, panel mounted	20GPM (4540l/h)	236	45	46	34	165	102	1"	Ø23
RM-PMV1	Rotameter, 1 GPM, panel mounted with flow control	1 GPM (226 l/h)	176	32	35	27	127	76	1/2"	1/4"
RM-PMV2	Rotameter, 2 GPM, panel mounted with flow control	2 GPM (454 l/h)	176	32	35	27	127	76	1/2"	1/4"
RM-PMV5	Rotameter, 5 GPM, panel mounted with flow control	5 GPM (1134 l/h)	176	32	35	27	127	76	1/2"	1/4"
RM-PMV10	Rotameter, 10 GPM, panel mounted with flow control	10GPM (2260l/h)	236	45	46	34	165	102	1"	Ø23
RM-PMV20	Rotameter, 20 GPM, panel mounted with flow control	20GPM (4540l/h)	236	45	46	34	165	102	1"	Ø23

Material of flow meters is Acrylic



RM-PMV20

RM-PM20



Tube connection material: ABS
 Bottom & Top Shaft material: HIPE
 Guide rod material: 316SS
 Maximum pressure: ≤ 6 bar

Screw material: ABS
 Float material: ABS
 Accuracy: ±4%
 Max temp.: 0-40°C

O-shape sealing ring material: silicon
 Body material: AS
 Medium: Water

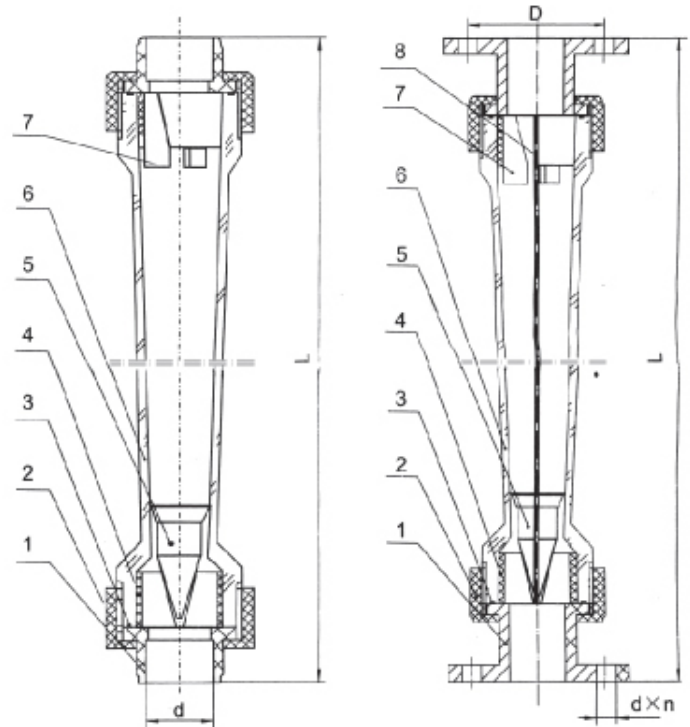
2022/In-line Rotameters



RM-FL-60



RM-FL-60



Part number	Name	Flow	L	d
RM-FL-0,16	Rotameter, In-line	16-160 l/h	200	20
RM-FL-0,4	Rotameter, In-line	40-400 l/h	200	20
RM-FL-1	Rotameter, In-line	100-1000 l/h	226	32
RM-FL-1,6	Rotameter, In-line	160-1600 l/h	226	32
RM-FL-3	Rotameter, In-line	300-3000 l/h	226	32
RM-FL-6	Rotameter, In-line	600-6000 l/h	288	40
RM-FL-10	Rotameter, In-line	1000-10000 l/h	341	63
RM-FL-25	Rotameter, In-line	5-25 m ³ /h	430	75
RM-FL-60	Rotameter, In-line, flanged connection	12-60 m ³ /h	540	DN65
RM-FL-120	Rotameter, In-line, flanged connection	16-120 m ³ /h	555	DN100

Tube connection material: ABS
 Bottom & Top Shaft material: HIPE
 Guide rod material: 316SS
 Maximum pressure: ≤ 6 bar

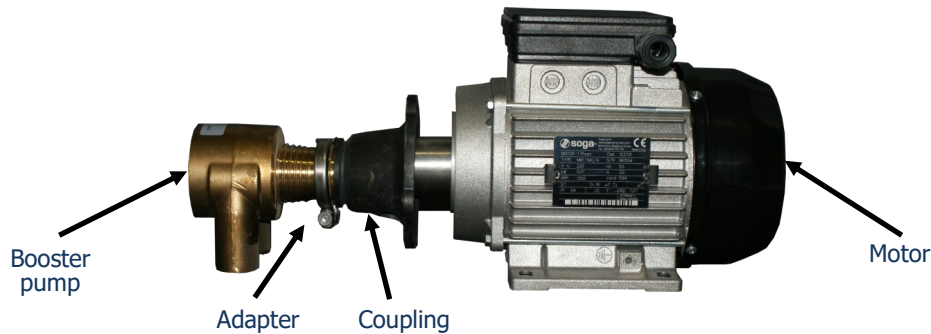
Screw material: ABS
 Float material: ABS
 Accuracy: ±4%
 Max temp.: 0-40°C

O-shape sealing ring material: silicon
 Body material: AS
 Medium: Water

2022/RO booster pumps

944

Part number	Products	In/out	Motor rotate	Performance 9 bar	Performance 14 bar
DE806-RO200	RO booster pump in copper house with by-pass valve (PA201)	3/8"	1400 RPM	205 l/h	185 l/h
DE808-RO350	RO booster pump in copper house with by-pass valve (PA301)	3/8"	1400 RPM	340 l/h	330 l/h
DE810-RO500	RO booster pump in copper house with by-pass valve (PA301)	3/8"	1400 RPM	475 l/h	458 l/h
DE810-RO700	RO booster pump in copper house with by-pass valve (PA801)	1/2"	1400 RPM	690 l/h	675 l/h
DE814-RO1000	RO booster pump in copper house with by-pass valve (PA1001)	1/2"	1400 RPM	1070 l/h	1030 l/h



944

Part number	Products	Power	Motor rotate	A	Input / phase	Booster pump type
DE856	Motor for booster pump	150 W	1350 RPM	1.5 A	230V, 50Hz	PA201
DE858	Motor for booster pump	245 W	1320 RPM	-	230V, 50Hz	PA201
DE860	Motor for booster pump M71	370 W	1350 RPM	3.2 A	220V, 50Hz / 1	PA201, PA301
DE862	Motor for booster pump M80	750 W	1350 RPM	5.4 A	220V, 50Hz / 1	PA801, PA1001

Part no.	Products	Gr. #
DE871	Adapter M71	944
DE873	Adapter M80	944
DE872	Coupling M71	944
DE874	Coupling M80	944



BC-ROPUMP-0,5-LPM



BC-ROPUMP-1,1-LPM



BC-RO800P-PUMP



Coupling M71



Adapter M71



Coupling M80



Adapter M80

332

Part number	Products	Flow @ 5 bar	Working pressure	Input
BC-RO800P-PUMP	Pressure booster pump	1,6 liter/min	4 bar	24V / 1.6A
BC-RO800P-AD	Adapter for booster pump	-	-	220V
BC-ROPUMP-0,5LPM	Pressure booster pump	0,55 liter/min	4 bar	24V / 0.8A
BC-ROPUMP-0,5LPM-AD	Adapter for booster pump	-	-	220V
BC-ROPUMP-1,1LPM	Pressure booster pump	1,2 liter/min	8 bar	24V / 1A
BC-ROPUMP-1,1LPM-AD	Adapter for booster pump	-	-	220V

2022/EDI modules

Maximum Feed Water Specifications

Feed Water Source	RO permeate
Feed Water Conductivity Equivalent, Including CO ₂	< 40 µS/cm
Silica (SiO ₂)	< 1 ppm
Iron (as Fe, Mn, S)	< 0.01 ppm
Maximum Total Chlorine (CaCO ₃)	< 0.02 ppm
Dissolved Organics (CaCO ₃)	< 1.0 ppm
Dissolved Organics (TOC or C)	< 0.5 ppm
pH	4–11
Temperature	41-113 °F (5-45 °C)
Inlet Pressure	< 100 psi (7 bar)



Module Performance

Operating Parameters	
Recovery	90-95 %
Pressure Drop Range at Nominal Flow	20–30 psi (1.4-2– bar)
Produced Water Quality	
Product Resistivity	> 16MΩ·cm
Silica (SiO ₂) Removal	90-99 % (depending on feed conditions)

966

Part No.	Product	Flow m ³ /h	Direct current V	Current A	Size H x W x L mm	Gross weight Kg	Net weight kg
IT-DS-05(*)	EDI module	0.22-0.67	0-55	0-6	605 x 147 x 216	73	50
IT-DS-10(*)	EDI module	0.55-1.65	0-135	0-6	605 x 236 x 216	96	73
IT-DS-20(*)	EDI module	1.1-3.1	0-240	0-6	605 x 354 x 216	105	82
IT-DS-30(*)	EDI module	1.7-5.1	0-320	0-6	605 x 531 x 216	118	96
IT-DS-50(*)	EDI module	2.55-7.7	0-400	0-6	605 x 746 x 216	153	129

Part No.	Product description	Gr. #
IT-PCPM	Power controller with power module	966

Products marked with (*) sign are not kept on stock, delivery time is approx. 4 weeks.

If you need complete pump station please, send your inquiry!



Pump station with
2x CM-I-15-4 pumps



Pump station with
2x CM-I-5-8 pumps

BS-2162KT/RX complete system with Grundfos Pump Station

961

Part number	Product	Temperature	Connection	Pressure
00ID8953	FF4-8 Pressure switch—1 pole	-20°C - 70°C	3/8"	0.5—8 bar



Hidrofor tanks

961



FF 4-8
Pressure switch

Part number	Product	Size	Connection	Max. pressure	Temperature
96989123	Pressure tank	60 liter	1"	10 bar	90°C
96573257	Pressure tank	100 liter	1"	10 bar	90°C
96573258	Pressure tank	200 liter	1" 1/4"	10 bar	90°C
96573259	Pressure tank	300 liter	1" 1/4"	10 bar	90°C

Products are not kept on stock, delivery time is approx. 4-6 week.



Water Softener Equipments



Warehouse opening hours Release of goods:

Monday—Friday: 8:00—17:00

Product specifications are for informational purposes only!

Euro-Clear Ltd owns the right of the technical changes!

Items may be different than shown on the pictures!

Euro-Clear

Euro-Clear Ltd.

 9071, Gönyű, Béke street 2.

 +36 96 544 240

 contact@euro-clear.eu

 www.euro-clear.eu